

USER'S MANUAL
BEDIENUNGSANLEITUNG
MANUEL D'UTILISATION
MANUAL DE USUARIO
INSTRUKCJA OBSŁUGI
MANUALE D' USO



ALL IN ONE ARRAY SYSTEM
WITH 3-CHANNEL MIXER
LDMAUI28MIX



ENGLISH

DEUTSCH

FRANCAIS

ESPAÑOL

POLSKI

ITALIANO

You've made the right choice!

We have designed this product to operate reliably over many years. LD Systems stands for this with its name and many years of experience as a manufacturer of high-quality audio products.

Please read this User's Manual carefully, so that you can begin making optimum use of your LD Systems product quickly.

You can find more information about LD SYSTEMS at our Internet site WWW.LD-SYSTEMS.COM

Introduction

The MIX version is the especially versatile variant of the MAUI28: expanded connection and control capabilities make this compact PA-System the ideal all-round solution for solo entertainers, DJs, and presentations; the elegant look is also suitable for permanent use in sophisticated surroundings.

An XLR-jack combo socket serves as the microphone input. The high-impedance jack input for instruments such as a guitar, or the mini-jack for connecting MP3 players are activated with a slide switch. For mixers, computer, and other line-level signal sources, e.g., keyboards, the LD MAUI28MIX system has RCA and combo sockets. Of course, the various input channels can be used simultaneously. The channel volumes, master volume, and subwoofer level can be adjusted individually using separate controls.

Reliable functioning is ensured by a built-in dual limiter and the protection circuit. The intelligent plug & play design with special plug-in connectors makes the system extremely fast and simple to set up and take down. The 5-way Class AB amplification drives the individual frequency ranges separately for perfectly balanced reproduction with a homogenous, natural sound and wide dynamic range. The wide horizontal dispersion angle of 120° and extremely high resistance to feedback make separate monitors unnecessary.

LD MAUI**28**MIX

COMPACT ACTIVE COLUMN PA SYSTEM
WITH BUILT-IN 3-CHANNEL MIXER



ENGLISH

DEUTSCH

FRANCAIS

ESPAÑOL

POLSKI

ITALIANO



PREVENTIVE MEASURES:

1. Please read these instructions carefully.
2. Keep all information and instructions in a safe place.
3. Follow the instructions.
4. Observe all safety warnings. Never remove safety warnings or other information from the equipment.
5. Use the equipment only in the intended manner and for the intended purpose.
6. Use only sufficiently stable and compatible stands and/or mounts (for fixed installations). Make certain that wall mounts are properly installed and secured. Make certain that the equipment is installed securely and cannot fall down.
7. During installation, observe the applicable safety regulations for your country.
8. Never install and operate the equipment near radiators, heat registers, ovens or other sources of heat. Make certain that the equipment is always installed so that it is cooled sufficiently and cannot overheat.
9. Never place sources of ignition, e.g., burning candles, on the equipment.
10. Ventilation slits must not be blocked.
11. Do not use this equipment in the immediate vicinity of water (does not apply to special outdoor equipment - in this case, observe the special instructions noted below. Do not expose this equipment to flammable materials, fluids or gases.
12. Make certain that dripping or splashed water cannot enter the equipment. Do not place containers filled with liquids, such as vases or drinking vessels, on the equipment.
13. Make certain that objects cannot fall into the device.
14. Use this equipment only with the accessories recommended and intended by the manufacturer.
15. Do not open or modify this equipment.
16. After connecting the equipment, check all cables in order to prevent damage or accidents, e.g., due to tripping hazards.
17. During transport, make certain that the equipment cannot fall down and possibly cause property damage and personal injuries.
18. If your equipment is no longer functioning properly, if fluids or objects have gotten inside the equipment or if it has been damaged in another way, switch it off immediately and unplug it from the mains outlet (if it is a powered device). This equipment may only be repaired by authorized, qualified personnel.
19. Clean the equipment using a dry cloth.
20. Comply with all applicable disposal laws in your country. During disposal of packaging, please separate plastic and paper/cardboard.
21. Plastic bags must be kept out of reach of children.

FOR EQUIPMENT THAT CONNECTS TO THE POWER MAINS:

22. CAUTION: If the power cord of the device is equipped with an earthing contact, then it must be connected to an outlet with a protective ground. Never deactivate the protective ground of a power cord.
23. If the equipment has been exposed to strong fluctuations in temperature (for example, after transport), do not switch it on immediately. Moisture and condensation could damage the equipment. Do not switch on the equipment until it has reached room temperature.
24. Before connecting the equipment to the power outlet, first verify that the mains voltage and frequency match the values specified on the equipment. If the equipment has a voltage selection switch, connect the equipment to the power outlet only if the equipment values and the mains power values match. If the included power cord or power adapter does not fit in your wall outlet, contact your electrician.
25. Do not step on the power cord. Make certain that the power cable does not become kinked, especially at the mains outlet and/or power adapter and the equipment connector.
26. When connecting the equipment, make certain that the power cord or power adapter is always freely accessible. Always disconnect the equipment from the power supply if the equipment is not in use or if you want

SAFETY:

ENGLISH

DEUTSCH

FRANCAIS

ESPAÑOL

POLSKI

ITALIANO

to clean the equipment. Always unplug the power cord and power adapter from the power outlet at the plug or adapter and not by pulling on the cord. Never touch the power cord and power adapter with wet hands.

27. Whenever possible, avoid switching the equipment on and off in quick succession because otherwise this can shorten the useful life of the equipment.

28. **IMPORTANT INFORMATION:** Replace fuses only with fuses of the same type and rating. If a fuse blows repeatedly, please contact an authorised service centre.

29. To disconnect the equipment from the power mains completely, unplug the power cord or power adapter from the power outlet.

30. If your device is equipped with a Volex power connector, the mating Volex equipment connector must be unlocked before it can be removed. However, this also means that the equipment can slide and fall down if the power cable is pulled, which can lead to personal injuries and/or other damage. For this reason, always be careful when laying cables.

31. Unplug the power cord and power adapter from the power outlet if there is a risk of a lightning strike or before extended periods of disuse.



CAUTION:

Never remove the cover, because otherwise there may be a risk of electric shock. There are no user serviceable parts inside. Have repairs carried out only by qualified service personnel.



The lightning flash with arrowhead symbol within an equilateral triangle is intended to alert the user to the presence of uninsulated “dangerous voltage” within the product’s enclosure that may be of sufficient magnitude to constitute a risk of electrical shock.



The exclamation mark within an equilateral triangle is intended to alert the user to the presence of important operating and maintenance instructions.

CAUTION – HIGH VOLUME LEVELS WITH AUDIO PRODUCTS!

This equipment is intended for professional use. Therefore, commercial use of this equipment is subject to the respectively applicable national accident prevention rules and regulations. As a manufacturer, Adam Hall is obligated to notify you formally about the existence of potential health risks.

Hearing damage due to high volume and prolonged exposure: When in use, this product is capable of producing high sound-pressure levels (SPL) that can lead to irreversible hearing damage in performers, employees, and audience members. For this reason, avoid prolonged exposure to volumes in excess of 90 dB.

CAUTION! IMPORTANT INFORMATION ABOUT LIGHTING PRODUCTS

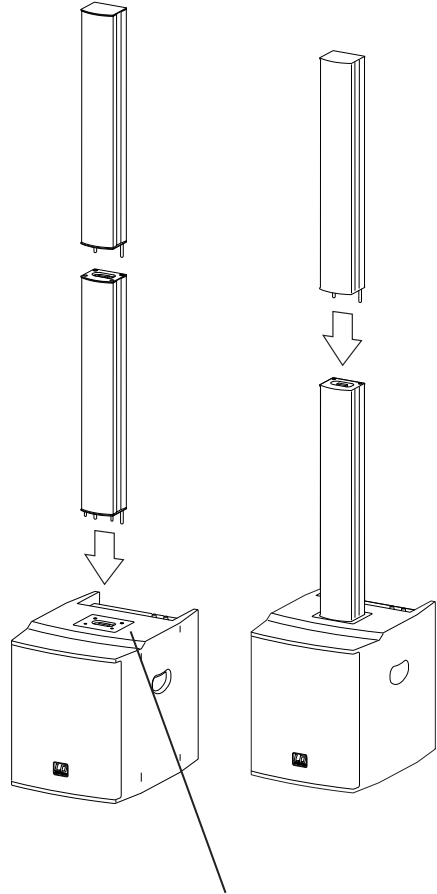
1. Do not look into the beam from a distance of less than 40 cm.
2. Do not stare into the beam for extended periods at short-to-medium distances.
3. Do not view the beam directly with optical instruments such as magnifiers.
4. Under some circumstances, stroboscopic effects may trigger epileptic seizures in sensitive individuals! For this reason, persons who suffer from epilepsy should always avoid places where strobe lights are used.

SETUP:

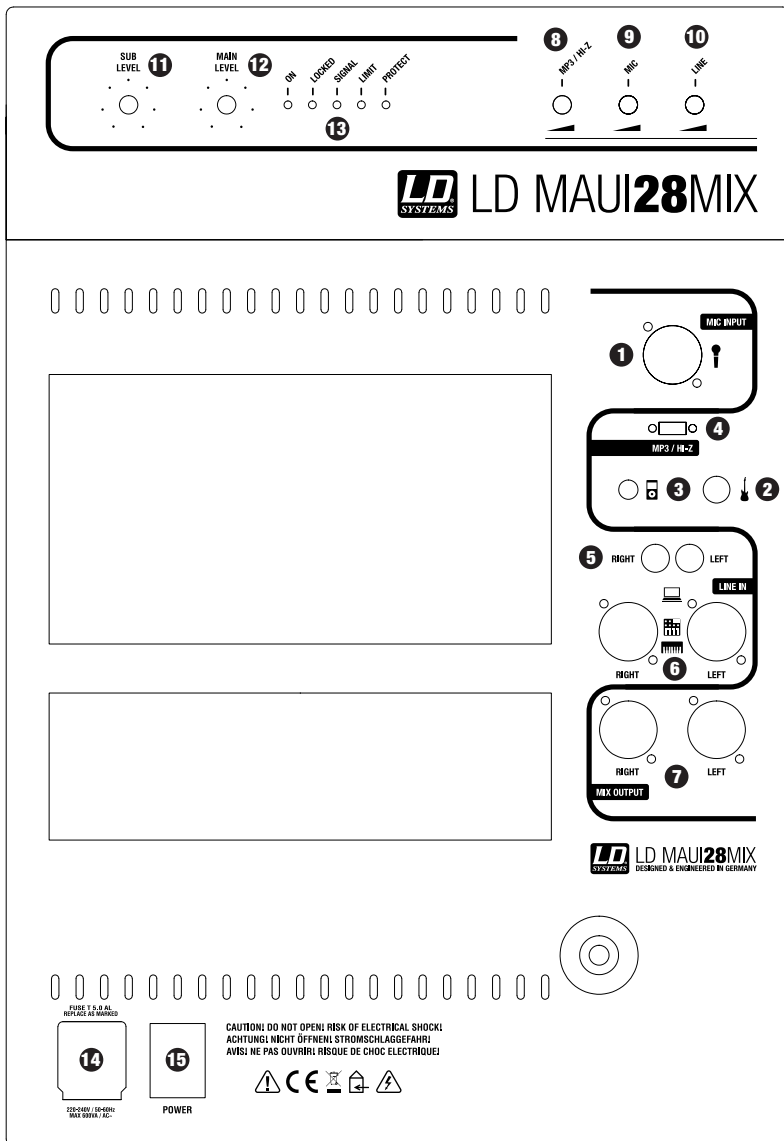
The LD Systems MAUI28MIX all-in-one array system consists of the following three components:

1. Subwoofer with integral electronics for all three parts of the system and the multi-pin connector (see Fig. 1) for the vertical array column.
2. The lower vertical array column with 8 x 3" speakers and 2 multipin connectors, one each on the top and bottom.
3. The upper vertical array column with 8 x 3" speakers, the tweeter and a multipin connector on the bottom.

Once the subwoofer is positioned in the room that is to be filled with sound, the lower vertical array column is plugged onto the subwoofer. Four sturdy steel pins help ensure that the multipin connectors of both speakers mate perfectly. Now the upper vertical array column is simply plugged onto the lower column according to the same principle. Special control electronics use an LED to indicate that all parts of the system are properly connected after the MAUI28MIX array system is turned on.



CONNECTIONS, CONTROLS AND INDICATORS:



ENGLISH

DEUTSCH

FRANCAIS

ESPAÑOL

POLSKI

ITALIANO



CONNECTIONS, CONTROLS, AND INDICATORS:

1 MIC INPUT

Balanced microphone input (XLR/ 6.3 mm jack combo) It is also possible to use an unbalanced microphone cable (mono jack). The microphone input has a built-in 100Hz subsonic filter to suppress low-frequency noise.

NOTE: There is no phantom power on the microphone input.

2 HI-Z INPUT

Input for acoustic or electric guitar. When using this input, Switch 4 must be set to the right-hand position (HI-Z). This switches the channel to mono.

3 MP3 INPUT

3.5 mm jack input for MP3 players. When using this input, Switch 4 must be set to the left-hand position (MP3). This switches the channel to stereo.

4 MP3 / HI-Z SWITCH

In the left-hand position, the MP3 input is active; in the right-hand position, the HI-Z input is active.

5 LINE INPUT (LEFT / RIGHT) UNBALANCED

Unbalanced line input (RCA) for connecting an external audio source (e.g., laptop).

6 LINE INPUT (LEFT / RIGHT) BALANCED

Balanced line input (XLR / 6.3 mm jack combo) for connection of an external audio source (e.g., mixer, keyboard).

7 MIX OUTPUT (LEFT / RIGHT) BALANCED

This balanced stereo XLR output is independent of the main level and provides the mix signal from the microphone, HI-Z / MP3, and line input signals.

8 MP3 / HI-Z

Volume control for the MP3 / HI-Z channel.

9 MIC

Microphone input volume control.

10 LINE

Line in volume control

11 SUB LEVEL

Sets the relative volume of subwoofer and column speakers.

12 MAIN LEVEL

Overall volume adjustment. The subwoofer volume is also adjusted in accordance with the preset on the SUB LEVEL level control.

CONNECTIONS, CONTROLS, AND INDICATORS:

13 INDICATOR LEDs

ON: Lights up once the system is switched on and properly connected to the power mains.

LOCKED: Special control electronics use this LED to indicate that all parts of the system are properly connected after the system is turned on.

SIGNAL: Lights up as soon as an audio signal is present.

LIMIT: Lights up if the system is operating in the clipping range. Brief flashing is not a cause for concern, since the internal audio limiter compensates for over-modulation. Permanent illumination should be avoided by reducing the volume.

PROTECT: Lights up when one of the power amplifier protection circuits is active. To protect the power amplifiers and the speakers, the speaker outputs are deactivated in protect mode. Once the source of the trouble has been eliminated (e.g., overloading), after a short time, the power amplifier returns to normal status, the Protect LED goes out, and the system is operational again.

14 POWER SOCKET

IEC power socket with built-in fuse holder.

IMPORTANT INFORMATION: Replace the fuse only with a fuse of the same type and rating. If the fuse blows repeatedly, please contact an authorised service centre.

15 POWER

Illuminated on / off switch. Before switching the system on or off, always adjust the volume to zero (Main Level all the way to the left).

ENGLISH

DEUTSCH

FRANCAIS

ESPAÑOL

POLSKI

ITALIANO

FREQUENCY ALLOCATION:

ENGLISH

DEUTSCH

FRANCAIS

ESPAÑOL

POLSKI

ITALIANO

TWEETERS

8,000 Hz - 20,000 Hz
Passive crossover

UPPER MIDS/TREBLE

500 Hz - 20,000 Hz
Amplifier power 50 W (RMS)

MIDS

170 Hz - 1,300 Hz
Amplifier power 50 W (RMS)

MIDS

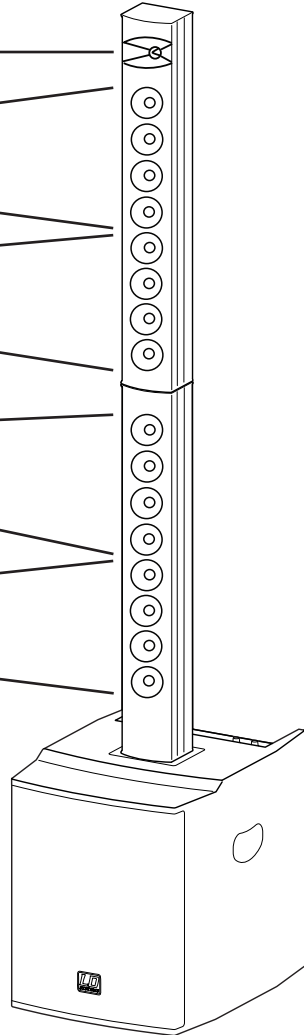
170 Hz - 900 Hz
Amplifier power 50 W (RMS)

LOWER MIDS

170 Hz - 600 Hz
Amplifier power 50 W (RMS)

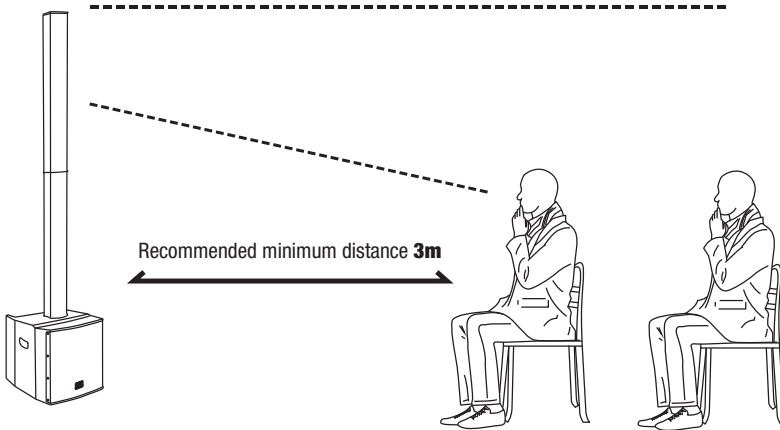
SUBWOOFER

45 Hz - 170 Hz
Amplifier power 200 W (RMS)



The LD MAUI28MIX has a five-way crossover that ensures a clear, dynamic, and balanced sound throughout the frequency spectrum. The array configuration ensures improved sound field coverage and an especially balanced dispersion pattern throughout the venue.

POSITIONING:



With a seated audience, it is advisable to maintain a minimum distance of approx. 3 metres between the MAUI28MIX and the first row of seats in order to provide the listeners with an optimal listening experience.

ENGLISH

DEUTSCH

FRANCAIS

ESPAÑOL

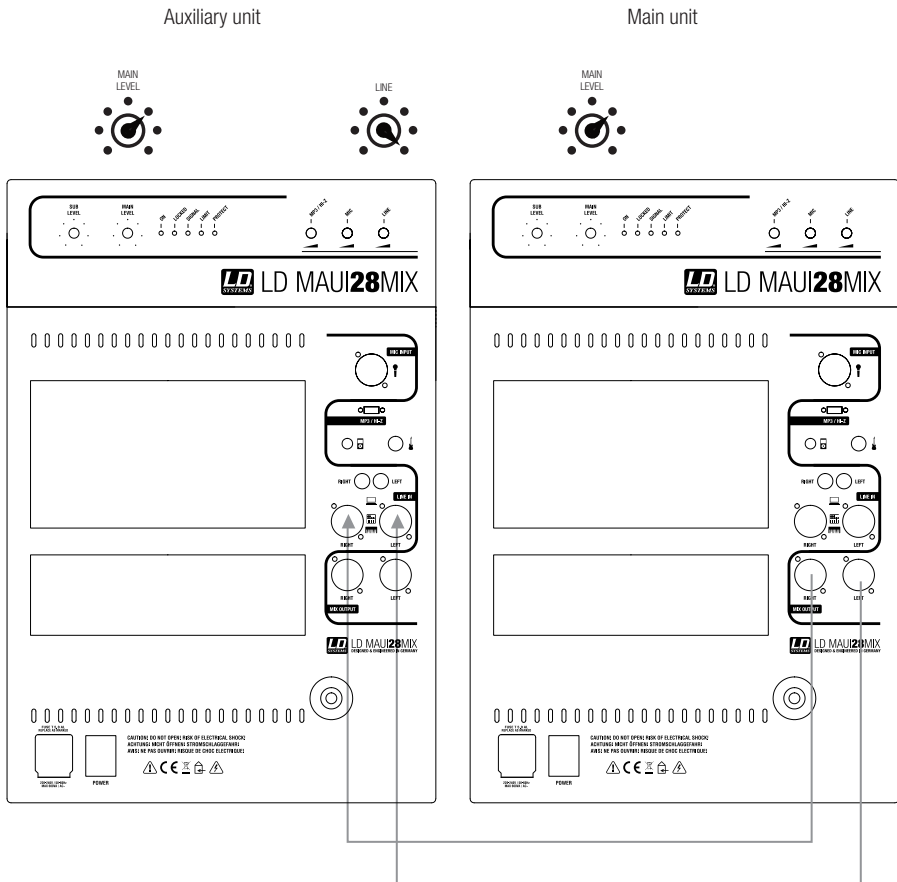
POLSKI

ITALIANO

SETUP EXAMPLE:

Setting when connecting multiple MAUI28MIX column systems in a chain:

1. Using XLR cables, connect the MIX OUTPUT (LEFT / RIGHT) of the main unit to the LINE INPUT (LEFT / RIGHT) of the auxiliary unit. Connect the first auxiliary unit to the second auxiliary unit in the same manner (etc.).
2. Set the LINE volume knob(s) of the auxiliary unit(s) to maximum (knob all the way to the right).
3. To obtain the same volume from all units, simply set the MAIN LEVEL control of the main unit and the MAIN LEVEL control(s) of the auxiliary unit(s) to the same position at the desired volume.



TROUBLESHOOTING:

ENGLISH

DEUTSCH

FRANCAIS

ESPAÑOL

POLSKI

ITALIANO

PROBLEM	DISPLAY	SOLUTION
System is not operational although it is switched on.	Power switch and power LED do not light up.	Check mains connection. Disconnect the system from the mains! Check the primary fuse of the system and replace it if necessary. If the fuse trips repeatedly, disconnect the system from the power mains and hand it over to an authorised service centre.
	Power switch, ON LED and Protect LED light up.	System is overloaded. Reduce volume. Protect LED goes out after a short time; the system is operational again.
	Protect LED remains lit even after reduction of the volume.	Internal fault. Turn of the system, disconnect it from the power mains, and hand it over to an authorised service centre.
HI-Z input is in use, but the guitar is inaudible, although both the HI-Z and Main Level knobs are turned up.	Switch 4 is in the left-hand position (MP3).	Reduce the volume of the guitar channel and move the switch to the right-hand position (HI-Z).
MP3 input is in use, but the MP3 player is inaudible, although both the MP3 and Main Level knobs are turned up.	Switch 4 is in the right-hand position (HI-Z).	Reduce the volume of the MP3 channel and move the switch to the left-hand position (MP3).
Microphone signal distorted.		Reduce the microphone channel volume and increase the overall volume (Main Level). Reduce the volume of any additionally connected audio source (e.g., keyboard) by the same amount.
Guitar/MP3 signal distorted.		Reduce the guitar/MP3 channel volume and increase the overall volume (Main Level). Reduce the volume of any additionally connected audio source (e.g., keyboard, microphone) by the same amount.
		Reduce the volume of the audio source (e.g., guitar, MP3 player) and increase the channel and/or overall volume.



TROUBLESHOOTING:

ENGLISH

DEUTSCH

FRANCAIS

ESPAÑOL

POLSKI

ITALIANO

PROBLEM	DISPLAY	SOLUTION
Signal from line input distorted.		Reduce the line channel volume and increase the overall volume (Main Level). Reduce the volume of any additionally connected audio source (e.g., keyboard, microphone) by the same amount.
		Reduce the volume of the audio source (e.g., mixer) increase the channel and/or overall volume.
Overall signal distorted.	Limit LED is always on.	Reduce overall volume (MAIN LEVEL).

OPTIONAL ACCESSORIES:



LDM28CB

Dolly for MAUI28 and MAUI28MIX system



LDM28SATBAG

Transport bag for MAUI28 and MAUI28MIX column speakers



LDM28SUBPC

Transport bag for MAUI28 and MAUI28MIX subwoofer

ENGLISH

DEUTSCH

FRANCAIS

ESPAÑOL

POLSKI

ITALIANO

SPECIFICATIONS:

Model name:	LDMAUI28MIX
Product type:	Complete PA System
Type:	active
Colour:	black
Max. SPL (continuous):	115 dB
Max. SPL (peak):	123 dB
Frequency response:	45 Hz - 20,000 Hz
Dispersion angle (H x V):	120° (horizontal)
Weight:	35 kg
Subwoofer	
Woofers size:	2 x 8"
Woofers size:	2 x 203 mm
Woofers magnet:	ferrite
Woofers brand:	custom made
Cabinet type:	bass-reflex, v-design
Cabinet material:	15 mm plywood
Cabinet surface:	Dura Coat LX textured coating
Subwoofer dimensions (W x H x D):	390 x 450 x 510 mm
Subwoofer features:	Ergonomic milled handles, custom-made multi-pin connector for vertical array
Mid/Hi System	
Midrange size:	16 x 3"
Midrange size:	16 x 76 mm
Midrange magnet:	neodymium
Midrange brand:	custom made
Tweeter size:	1"
Tweeter size:	25 mm
Tweeter magnet:	ferrite
Tweeter brand:	custom made
Speaker inputs:	1
Speaker input connections:	Custom-made multi-pin

SPECIFICATIONS:

ENGLISH

DEUTSCH

FRANCAIS

ESPAÑOL

POLSKI

ITALIANO

Mid/Hi system cabinet type:	closed
Mid/Hi system cabinet material:	aluminium
Mid/Hi system cabinet surface::	Paint
Mid/Hi system dimensions (W x H x D):	110 x 790 x 90 mm
Mid/Hi system features:	Vertical array with 4-way amping and extremely broad dispersion characteristic
Amplifier module	
Amplifier:	5-way Class A/B
Amplifier power system (RMS)	400 W
Amplifier power subwoofer (RMS):	200 W
Amplifier power Mid/Hi (RMS):	4 x 50 W
Protection:	dual limiter
Cooling system:	aluminium heat sink
Controls:	Main Level, Sub Level, Mic Level, Line Level, MP3 / Hi-Z Level, Input Switch (Hi-Z / MP3), ON / OFF
Indicators:	LEDs for: On, Locked, Signal, Limit, Protect
Power supply:	transformer
Operating voltage:	220 V AC - 240 V AC, 50 - 60 Hz
Power consumption (max.)	600 VA
Line inputs:	2
Line input connectors:	XLR/ 6.3 mm jack combo, RCA
Microphone inputs:	1
Microphone input connectors:	XLR/ 6.3 mm jack combo
HI-Z inputs:	1 (alternative to MP3 player input)
HI-Z input connectors:	6.3 mm jack
MP3 player inputs:	1 (alternative to HI-Z input)
MP3 player input connectors:	3,5 mm stereo jack
Speaker outputs:	1
Speaker output connections:	Custom-made multi-pin
Other features:	100-Hz high-pass filter in microphone channel



MANUFACTURER'S DECLARATIONS:

MANUFACTURER'S WARRANTY

This warranty covers the Adam Hall, LD Systems, Defender, Palmer, and Cameo brands. It applies to all products distributed by Adam Hall.

This warranty declaration does not affect the statutory warranty claims against the manufacturer, but expands them with additional warranty claims vis-a-vis Adam Hall.

Adam Hall warrants that the Adam Hall product that you have purchased from Adam Hall or from an Adam Hall authorized reseller is free from defects in materials or workmanship under normal use for a period of 2 or 5 years (please inquire on a product-by-product basis) from the date of purchase.

The warranty period begins on the date on which the product was purchased, proof of which must be produced (through presentation of the invoice or the delivery note with the date of purchase) in the event of a warranty claim. Should products of the brands named above be in need of repair within the limited warranty period, you are entitled to warranty service according to the terms and conditions stated here.

During the Limited Warranty Period, Adam Hall will repair or replace the defective component parts or the product. In the event of repair or replacement during the Limited Warranty Period, the replaced original parts and/or products become property of Adam Hall.

In the unlikely event that the product which you purchased has a recurring failure, Adam Hall has the right, at its discretion, to replace the defective product with another product, provided that the new product is at least equivalent to the product being replaced with regard to the technical specifications.

Adam Hall does not warrant that the operation of this product will be uninterrupted or error-free. Adam Hall is not responsible for damage that occurs as a result of your failure to follow the instructions included with the Adam Hall branded product. The manufacturer's warranty does not cover – expendable parts (e. g., rechargeable batteries)

- products from which the serial number has been removed or with a serial number that has been damaged as a result of an accident - damage due to improper use, user error or other external reasons
- damage to devices operated outside the usage parameters stated in the documentation included with the product
- damage due to the use of replacement parts not manufactured, sold or recommended by Adam Hall,
- damage due to modification or servicing by anyone other than Adam Hall.

These terms and conditions constitute the complete and exclusive warranty agreement between you and Adam Hall regarding the Adam Hall branded product you have purchased.

ENGLISH

DEUTSCH

FRANCAIS

ESPAÑOL

POLSKI

ITALIANO

MANUFACTURER'S DECLARATIONS:

ENGLISH

DEUTSCH

FRANCAIS

ESPAÑOL

POLSKI

ITALIANO

LIMITATION OF LIABILITY

If your Adam Hall branded hardware product fails to work as warranted above, your sole and exclusive remedy shall be repair or replacement. Adam Halls' maximum liability under this limited warranty is expressly limited to the lesser of the price you have paid for the product or the cost of repair or replacement of any components that malfunction under conditions of normal use.

Adam Hall is not liable for any damages caused by the product or the failure of the product, including any lost profits or savings or special, incidental, or consequential damages. Adam Hall is not liable for any claim made by a third party or made by you for a third party.

This limitation of liability applies whether damages are sought, or claims are made, under this Limited Warranty or as a tort claim (including negligence and strict product liability), a contract claim, or any other claim, and cannot be rescinded or changed by anyone. This limitation of liability will be effective even if you have advised Adam Hall or an authorized representative of Adam Hall of the possibility of any such damages, but not, however, in the event of claims for damages in connection with personal injuries.

This manufacturer's warranty grants you specific rights; depending on jurisdiction (nation or state), you may be entitled to additional claims. You are advised to consult applicable state or national laws for a full determination of your rights.

REQUESTING WARRANTY SERVICE

To request warranty service for the product, contact Adam Hall or the Adam Hall authorized reseller from which you purchased the product.

EC DECLARATION OF CONFORMITY

The equipment marketed by Adam Hall complies (where applicable) with the essential requirements and other relevant specifications of Directives 1999/5/EC (R&TTE), 2004/108/EC (EMC) und 2006/95/EC (LVD). Additional information can be found at www.adamhall.com.

MANUFACTURER'S DECLARATIONS:

ENGLISH

DEUTSCH

FRANCAIS

ESPAÑOL

POLSKI

ITALIANO

PROPER DISPOSAL OF THIS PRODUCT

(Valid in the European Union and other European countries with waste separation)



This symbol on the product, or the documents accompanying the product, indicates that this appliance may not be treated as household waste. This is to avoid environmental damage or personal injury due to uncontrolled waste disposal. Please dispose of this product separately from other waste and have it recycled to promote sustainable economic activity.

Household users should contact either the retailer where they purchased this product, or their local government office, for details on where and how they can recycle this item in an environmentally friendly manner. Business users should contact their supplier and check the terms and conditions of the purchase contract. This product should not be mixed with other commercial wastes for disposal .

ENVIRONMENTAL PROTECTION AND ENERGY CONSERVATION

Energy conservation is an active contribution to environmental protection. Please turn off all unneeded electrical devices. To prevent unneeded devices from consuming power in standby mode, disconnect the mains plug.

Adam Hall GmbH, all rights reserved. The technical data and the functional product characteristics can be subject to modifications. The photocopying, the translation, and all other forms of copying of fragments or of the integrity of this user's manual is prohibited.

ENGLISH

DEUTSCH

FRANCAIS

ESPAÑOL

POLSKI

ITALIANO

Sie haben die richtige Wahl getroffen!

Dieses Gerät wurde unter hohen Qualitätsanforderungen entwickelt und gefertigt, um viele Jahre einen reibungslosen Betrieb zu gewährleisten. Dafür steht LD Systems mit seinem Namen und der langjährigen Erfahrung als Hersteller hochwertiger Audioprodukte.

Bitte lesen Sie diese Bedienungsanleitung sorgfältig, damit Sie Ihr neues Produkt von LD Systems schnell optimal einsetzen können.

Mehr Informationen zu LD SYSTEMS finden Sie auf unserer Internetseite WWW.LD-SYSTEMS.COM

Einführung

Die MIX-Version ist die besonders vielseitige MAUI28-Variante: erweiterte Anschluss- und Regelmöglichkeiten machen das kompakte PA-System zur idealen Allround-Lösung für Solo-Entertainer, DJs und Präsentationen; die elegante Optik eignet sich auch zum festen Einsatz im anspruchsvollen Ambiente.

Eine XLR-Klinken-Combobuchse dient als Mikrofoneingang, der hochohmige Klinkeneingang für Instrumente wie Gitarre, oder die Miniklinke zum Anschluss von MP3-Playern werden mit einem Schiebeschalter aktiviert. Für Mischpulte, Computer und andere Signalquellen mit Line-Pegel, z.B. Keyboards, besitzt das LD MAUI28MIX-System RCA- und Combobuchsen. Die Eingangskanäle können selbstverständlich gleichzeitig belegt werden, ihre Lautstärke, die Systemlautstärke und der Subwoofer-Pegel können über eigene Regler individuell eingestellt werden.

Für eine zuverlässige Funktion sorgen ein integrierter Dual Limiter und die Schutzschaltung, das intelligente Plug & Play-Design mit speziellen Steckverbindern macht den Auf- und Abbau extrem schnell und unkompliziert. Die 5-Weg-Verstärkung in Class AB mit separater Ansteuerung der einzelnen Frequenzbänder erzielt eine perfekt ausbalancierte Wiedergabe mit homogenem, natürlichen Klang und hoher Dynamik. Durch den weiten horizontalen Abstrahlwinkel von 120° und die extreme Rückkopplungsfestigkeit machen separate Monitore überflüssig.

LD MAUI28MIX

KOMPAKTES SÄULEN PA SYSTEM AKTIV
MIT INTEGRIERTER 3-KANAL MIXEINHEIT



SICHERHEITSHINWEISE:

1. Lesen Sie diese Anleitung bitte sorgfältig durch.
2. Bewahren Sie alle Informationen und Anleitungen an einem sicheren Ort auf.
3. Befolgen Sie die Anweisungen.
4. Beachten Sie alle Warnhinweise. Entfernen Sie keine Sicherheitshinweise oder andere Informationen vom Gerät.
5. Verwenden Sie das Gerät nur in der vorgesehenen Art und Weise.
6. Verwenden Sie ausschließlich stabile und passende Stative bzw. Befestigungen (bei Festinstallationen). Stellen Sie sicher, dass Wandhalterungen ordnungsgemäß installiert und gesichert sind. Stellen Sie sicher, dass das Gerät sicher installiert ist und nicht herunterfallen kann.
7. Beachten Sie bei der Installation die für Ihr Land geltenden Sicherheitsvorschriften.
8. Installieren und betreiben Sie das Gerät nicht in der Nähe von Heizkörpern, Wärmespeichern, Öfen oder sonstigen Wärmequellen. Sorgen Sie dafür, dass das Gerät immer so installiert ist, dass es ausreichend gekühlt wird und nicht überhitzen kann.
9. Platzieren Sie keine Zündquellen wie z.B. brennende Kerzen auf dem Gerät.
10. Lüftungsschlitze dürfen nicht blockiert werden.
11. Betreiben Sie das Gerät nicht in unmittelbarer Nähe von Wasser. Bringen Sie das Gerät nicht mit brennbaren Materialien, Flüssigkeiten oder Gasen in Berührung.
12. Sorgen Sie dafür, dass kein Tropf- oder Spritzwasser in das Gerät eindringen kann. Stellen Sie keine mit Flüssigkeit gefüllten Behältnisse wie Vasen oder Trinkgefäße auf das Gerät.
13. Sorgen Sie dafür, dass keine Gegenstände in das Gerät fallen können.
14. Betreiben Sie das Gerät nur mit dem vom Hersteller empfohlenen und vorgesehenen Zubehör.
15. Öffnen Sie das Gerät nicht und verändern Sie es nicht.
16. Überprüfen Sie nach dem Anschluss des Geräts alle Kabelwege, um Schäden oder Unfälle, z. B. durch Stolperfallen zu vermeiden.
17. Achten Sie beim Transport darauf, dass das Gerät nicht herunterfallen und dabei möglicherweise Sach- und Personenschäden verursachen kann.
18. Wenn Ihr Gerät nicht mehr ordnungsgemäß funktioniert, Flüssigkeiten oder Gegenstände in das Geräteinnere gelangt sind, oder das Gerät anderweitig beschädigt wurde, schalten Sie es sofort aus und trennen es von der Netzsteckdose (sofern es sich um ein aktives Gerät handelt). Dieses Gerät darf nur von autorisiertem Fachpersonal repariert werden.
19. Verwenden Sie zur Reinigung des Geräts ein trockenes Tuch.
20. Beachten Sie alle in Ihrem Land geltenden Entsorgungsgesetze. Trennen Sie bei der Entsorgung der Verpackung bitte Kunststoff und Papier bzw. Kartonagen voneinander.
21. Kunststoffbeutel müssen außer Reichweite von Kindern aufbewahrt werden.

BEI GERÄTEN MIT NETZANSCHLUSS:

22. ACHTUNG: Wenn das Netzkabel des Geräts mit einem Schutzkontakt ausgestattet ist, muss es an einer Steckdose mit Schutzleiter angeschlossen werden. Deaktivieren Sie niemals den Schutzleiter eines Netzkabels.
23. Schalten Sie das Gerät nicht sofort ein, wenn es starken Temperaturschwankungen ausgesetzt war (beispielsweise nach dem Transport). Feuchtigkeit und Kondensat könnten das Gerät beschädigen. Schalten Sie das Gerät erst ein, wenn es Raumtemperatur erreicht hat.
24. Bevor Sie das Gerät an die Steckdose anschließen, prüfen Sie zuerst, ob die Spannung und die Frequenz des Stromnetzes mit den auf dem Gerät angegebenen Werten übereinstimmen. Verfügt das Gerät über einen Spannungswahlschalter, schließen Sie das Gerät nur an die Steckdose an, wenn die Gerätewerte mit den Werten des Stromnetzes übereinstimmen. Wenn das mitgelieferte Netzkabel bzw. der mitgelieferte Netzadapter nicht in Ihre Netzsteckdose passt, wenden Sie sich an Ihren Elektriker.
25. Treten Sie nicht auf das Netzkabel. Sorgen Sie dafür, dass spannungsführende Kabel speziell an der Netz-

SICHERHEITSHINWEISE:

buchse bzw. am Netzadapter und der Gerätebuchse nicht geknickt werden.

26. Achten Sie bei der Verkabelung des Geräts immer darauf, dass das Netzkabel bzw. der Netzadapter stets frei zugänglich ist. Trennen Sie das Gerät stets von der Stromzuführung, wenn das Gerät nicht benutzt wird, oder Sie das Gerät reinigen möchten. Ziehen Sie Netzkabel und Netzadapter immer am Stecker bzw. am Adapter und nicht am Kabel aus der Steckdose. Berühren Sie Netzkabel und Netzadapter niemals mit nassen Händen.

27. Schalten Sie das Gerät möglichst nicht schnell hintereinander ein und aus, da sonst die Lebensdauer des Geräts beeinträchtigt werden könnte.

28. WICHTIGER HINWEIS: Ersetzen Sie Sicherungen ausschließlich durch Sicherungen des gleichen Typs und Wertes. Sollte eine Sicherung wiederholt auslösen, wenden Sie sich bitte an ein autorisiertes Servicezentrum.

29. Um das Gerät vollständig vom Stromnetz zu trennen, entfernen Sie das Netzkabel bzw. den Netzadapter aus der Steckdose.

30. Wenn Ihr Gerät mit einem verriegelbaren Netzanschluss bestückt ist, muss der passende Gerätestecker entsperrt werden, bevor er entfernt werden kann. Das bedeutet aber auch, dass das Gerät durch ein Ziehen am Netzkabel verrutschen und herunterfallen kann, wodurch Personen verletzt werden und/oder andere Schäden auftreten können. Verlegen Sie Ihre Kabel daher immer sorgfältig.

31. Entfernen Sie Netzkabel und Netzadapter aus der Steckdose bei Gefahr eines Blitzschlags oder wenn Sie das Gerät länger nicht verwenden.



ACHTUNG:

Entfernen Sie niemals die Abdeckung, da sonst das Risiko eines elektrischen Schlages besteht. Im Inneren des Geräts befinden sich keine Teile, die vom Bediener repariert oder gewartet werden können. Lassen Sie Reparaturen ausschließlich von qualifiziertem Servicepersonal durchführen.



Das gleichschenkelige Dreieck mit Blitzsymbol warnt vor nichtisolierten, gefährlichen Spannungen im Geräteinneren, die einen elektrischen Schlag verursachen können.



Das gleichschenkelige Dreieck mit Ausrufungszeichen kennzeichnet wichtige Bedienungs- und Warnungshinweise.

ACHTUNG HOHE LAUTSTÄRKEN BEI AUDIOPRODUKTEN!

Dieses Gerät ist für den professionellen Einsatz vorgesehen. Der kommerzielle Betrieb dieses Geräts unterliegt den jeweils gültigen nationalen Vorschriften und Richtlinien zur Unfallverhütung. Als Hersteller ist Adam Hall gesetzlich verpflichtet, Sie ausdrücklich auf mögliche Gesundheitsrisiken hinzuweisen.

Gehörschäden durch hohe Lautstärken und Dauerbelastung: Bei der Verwendung dieses Produkts können hohe Schalldruckpegel (SPL) erzeugt werden, die bei Künstlern, Mitarbeitern und Zuschauern zu irreparablen Gehör-schäden führen können. Vermeiden Sie länger anhaltende Belastung durch hohe Lautstärken über 90 dB.

VORSICHT! WICHTIGE HINWEISE IN BEZUG AUF LICHT-PRODUKTE

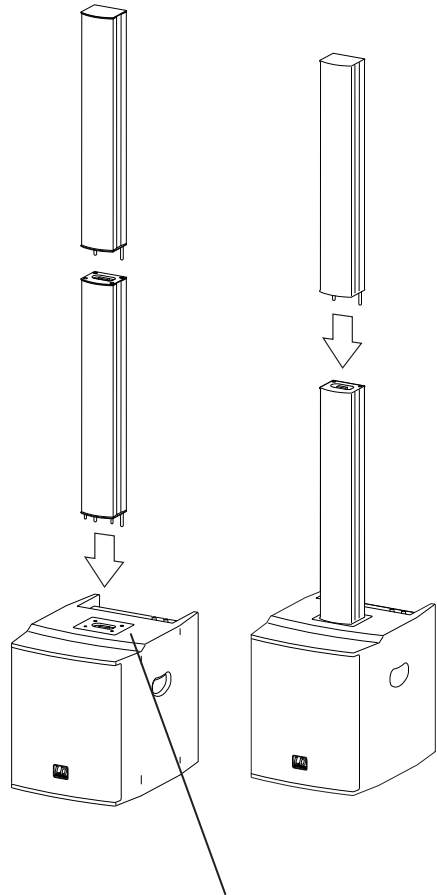
1. Blicken Sie nicht aus Entfernungen von unter 40 cm in den Lichtstrahl.
2. Blicken Sie niemals längere Zeit aus kurzem bis mittlerem Abstand in den Lichtstrahl.
3. Blicken Sie niemals mit optischen Geräten wie Vergrößerungsgläsern in den Lichtstrahl.
4. Stoboskopeffekte können unter Umständen bei empfindlichen Menschen epileptische Anfälle auslösen! Epilepsie-erkrankte Menschen sollten daher unbedingt Orte meiden, an denen Stroboskope eingesetzt werden.

AUFBAU:

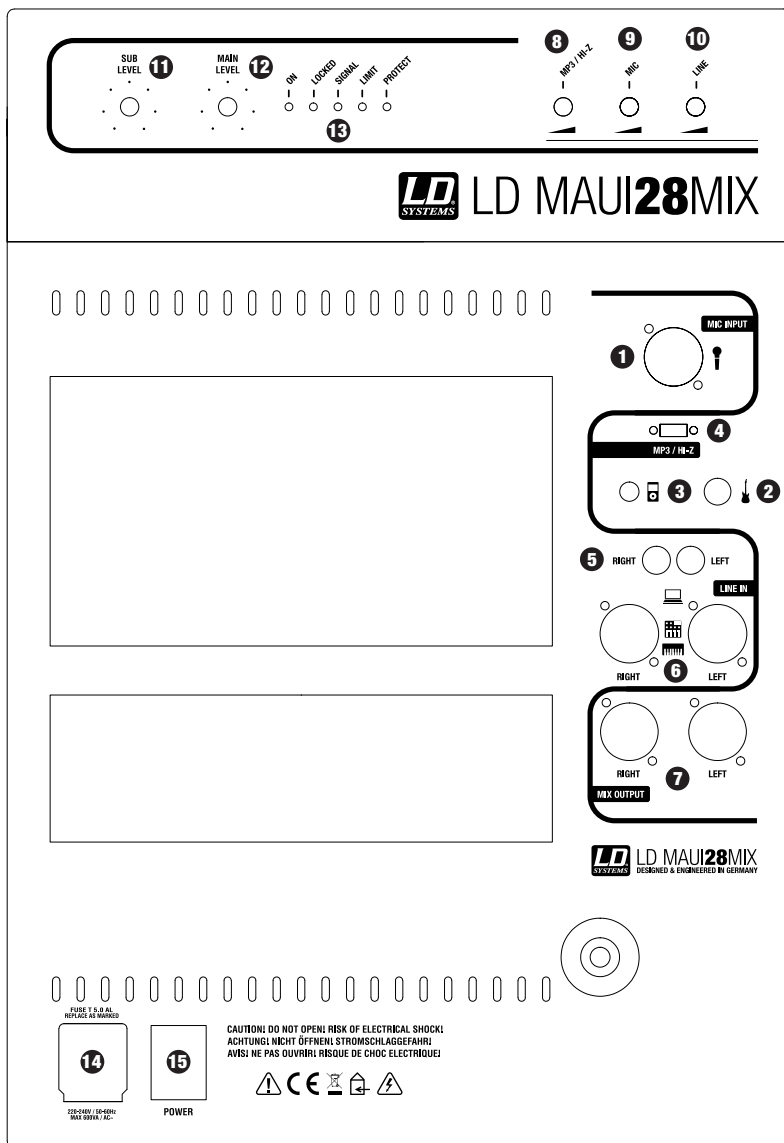
Das LD Systems MAUI28MIX All-in-one Array System besteht aus folgenden 3 Komponenten:

1. Subwoofer mit der integrierten Elektronik für alle 3 Systemteile und dem Multipin-Anschluss (siehe Bild 1) für die Vertical-Array-Säule.
2. Die untere Vertical-Array-Säule mit 8 x 3" Lautsprechern und 2 Multipin-Anschlüssen, je einer auf Ober- und Unterseite.
3. Die obere Vertical-Array-Säule mit 8 x 3" Lautsprechern, dem Hochtöner und einem Multipin-Anschluss auf der Unterseite.

Nach der Positionierung des Subwoofers in dem zu beschallenden Raum wird die untere Vertical-Array-Säule auf den Subwoofer aufgesteckt. 4 stabile Stahlstifte helfen dabei, dass die Multipin-Stecker beider Boxen perfekt ineinander greifen. Die obere Vertical-Array-Säule wird nun einfach nach dem gleichen Prinzip auf die untere Säule aufgesteckt. Die korrekte Verbindung aller Systemteile wird nach dem Einschalten des MAUI28MIX Array-Systems von einer speziellen Kontrollelektronik durch eine LED („Locked“) angezeigt.



ANSCHLÜSSE, BEDIEN- UND ANZEIGEELEMENTE:



ENGLISH

DEUTSCH

FRANCAIS

ESPAÑOL

POLSKI

ITALIANO

ANSCHLÜSSE, **BEDIEN- UND ANZEIGEELEMENTE:**

ENGLISH

DEUTSCH

FRANCAIS

ESPAÑOL

POLSKI

ITALIANO

1 MIC INPUT

Symmetrischer Mikrofoneingang (XLR / 6,3 mm Klinke Combo). Die Nutzung eines unsymmetrischen Mikrofonkabels (Mono-Klinke) ist ebenfalls möglich. Der Mikrofoneingang verfügt über ein eingebautes 100Hz Trittschallfilter um störende tieffrequente Signalanteile zu unterdrücken.

HINWEIS: Am Mikrofoneingang liegt keine Phantomspeisung an.

2 HI-Z INPUT

Eingang für Akustik- oder E-Gitarre. Bei Nutzung dieses Eingangs, muss Schalter 4 auf Position rechts gestellt sein (HI-Z). Der Kanal ist Mono geschaltet.

3 MP3 INPUT

3,5 mm Klinken-Eingang für MP3-Player. Bei Nutzung dieses Eingangs, muss Schalter 4 auf Position links gestellt sein (MP3). Der Kanal ist Stereo geschaltet.

4 SCHALTER MP3 / HI-Z

Auf Position links gestellt ist der MP3 Eingang, auf Position rechts der HI-Z Eingang aktiv.

5 LINE INPUT (LEFT / RIGHT) UNSYMMETRISCH

Unsymmetrischer Line-Eingang (Cinch) zum Anschließen eines Zuspielgeräts (z.B. Laptop).

6 LINE INPUT (LEFT / RIGHT) SYMMETRISCH

Symmetrischer Line-Eingang (XLR / 6,3 mm Klinke Combo) zum Anschließen eines Zuspielgeräts (z.B. Mischpult, Keyboard).

7 MIX OUTPUT (LEFT / RIGHT) SYMMETRISCH

Dieser symmetrische Stereo XLR Ausgang ist unabhängig vom Main Level und stellt das Mix-Signal aus Mikrofon-, HI-Z / MP3- und Line Input-Signalen bereit.

8 MP3 / HI-Z

Lautstärkeregler für den MP3 / HI-Z Kanal.

9 MIC

Lautstärkeregler für den Mikrofoneingang.

10 LINE

Lautstärkeregler für den Line-Eingang.

11 SUB LEVEL

Einstellung des Lautstärkeverhältnisses von Subwoofer und Säulenlautsprecher.

12 MAIN LEVEL

Einstellung der Gesamtlautstärke. Die Subwooferlautstärke wird entsprechend der Voreinstellung am SUB LEVEL Pegelsteller mitgeregelt.

ANSCHLÜSSE, BEDIEN- UND ANZEIGEELEMENTE:

ENGLISH

DEUTSCH

FRANCAIS

ESPAÑOL

POLSKI

ITALIANO

13 ANZEIGE-LEDs

ON: Leuchtet auf, sobald das System eingeschaltet und korrekt am Stromnetz angeschlossen ist.

LOCKED: Die korrekte Verbindung aller Systemteile wird nach dem Einschalten des Systems von einer speziellen Kontrollelektronik durch diese LED angezeigt.

SIGNAL: Leuchtet auf, sobald ein Audiosignal anliegt.

LIMIT: Leuchtet auf, sobald das System im Grenzbereich betrieben wird. Kurzzeitiges Aufleuchten ist dabei unkritisch, da der interne Audio-Limiter Übersteuerungen ausregelt. Dauerhaftes Leuchten sollte durch Absenken der Lautstärke vermieden werden.

PROTECT: Leuchtet auf, wenn eine der Schutzschaltungen im Verstärkermodul aktiv ist. Um Leistungsverstärker und Lautsprecher zu schützen, werden im Protect Modus die Lautsprecher abgeschaltet. Wird die Fehlerquelle beseitigt (z.B. Überlast), kehrt die Endstufe nach kurzer Zeit in den Normalzustand zurück, die Protect LED erlischt und das System ist wieder betriebsbereit.

14 NETZBUCHSE

IEC Netzbuchse mit integriertem Sicherungshalter.

WICHTIGER HINWEIS: Ersetzen Sie die Sicherung ausschließlich durch eine Sicherung des gleichen Typs und mit gleichen Werten. Sollte die Sicherung wiederholt auslösen, wenden Sie sich bitte an ein autorisiertes Servicezentrum.

15 POWER

Beleuchteter Ein-/Ausschalter. Vor dem Ein- und Ausschalten stets die Gesamtlautstärke auf Null drehen (Main Level auf Linksanschlag).

FREQUENZZUORDNUNG:

ENGLISH

DEUTSCH

FRANCAIS

ESPAÑOL

POLSKI

ITALIANO

HOCHTÖNER

8.000 Hz - 20.000 Hz
Passive Weiche

OBERE MITTEN/HÖHEN

500 Hz - 20.000 Hz
Verstärkerleistung 50 W (RMS)

MITTEN

170 Hz - 1.300 Hz
Verstärkerleistung 50 W (RMS)

MITTEN

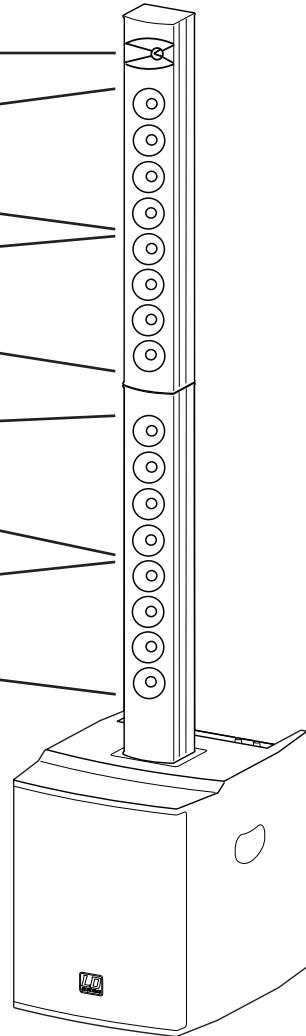
170 Hz - 900 Hz
Verstärkerleistung 50 W (RMS)

UNTERE MITTEN

170 Hz - 600 Hz
Verstärkerleistung 50 W (RMS)

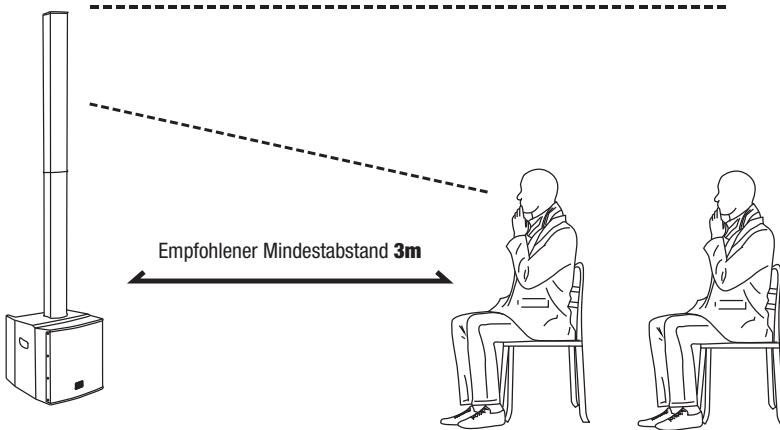
SUBWOOFER

45 Hz - 170 Hz
Verstärkerleistung 200 W (RMS)



Die 5-Wege Frequenzweiche der LD MAUI28MIX sorgt über das gesamte Frequenzspektrum hinweg für ein klares, dynamisches und ausgewogenes Klangbild. Durch die Array-Anordnung wird eine bessere Schallfeldabdeckung und ein besonders ausgeglichenes Abstrahlverhalten am gesamten Veranstaltungsort gewährleistet.

POSITIONIERUNG:



Bei sitzendem Publikum empfiehlt es sich, einen Mindestabstand von circa 3 Metern zwischen MAUI28MIX und der ersten Stuhlreihe einzuhalten, um dem Hörer ein optimales Klangspektrum zu ermöglichen.

ENGLISH

DEUTSCH

FRANCAIS

ESPAÑOL

POLSKI

ITALIANO

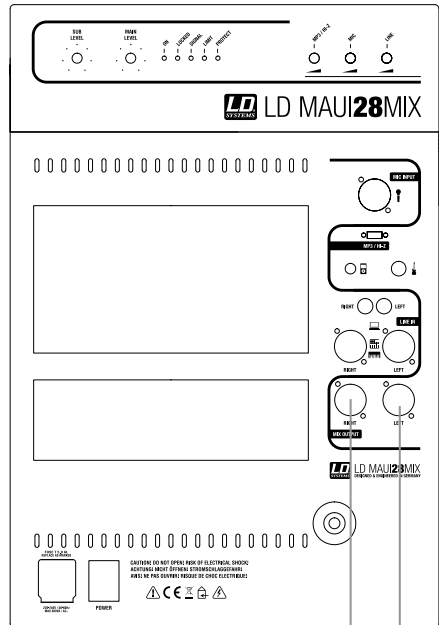
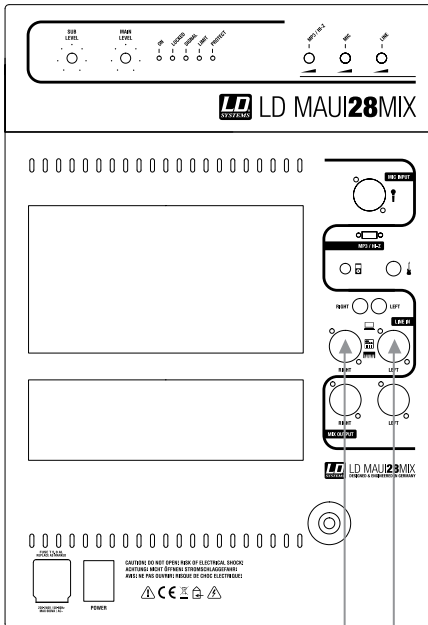
AUFBAUBEISPIEL:

Einstellung beim Verbinden mehrerer MAUI28MIX Säulenanlagen zu einer Kette:

1. Verbinden Sie MIX OUTPUT (LEFT / RIGHT) der Haupt-Einheit mit dem LINE INPUT (LEFT / RIGHT) der Neben-Einheit mit XLR-Kabeln. Gehen Sie in gleicher Weise mit der ersten Neben-Einheit und der zweiten Neben-Einheit vor (usw.).
2. Stellen Sie den LINE-Lautstärkeregler der Neben-Einheit(en) auf Maximum (Regler auf Rechtsanschlag).
3. Um nun bei allen Einheiten die gleiche Lautstärke zu erzielen, bringen Sie einfach den MAIN LEVEL-Regler der Haupt-Einheit und den MAIN LEVEL-Regler der Neben-Einheit(en) in gleicher Position in die gewünschte Lautstärke.

Neben-Einheit

Haupt-Einheit



FEHLERSUCHE:

ENGLISH

DEUTSCH

FRANCAIS

ESPAÑOL

POLSKI

ITALIANO

PROBLEM	ANZEIGE	LÖSUNG
Anlage ist nicht betriebsbereit, obwohl eingeschaltet.	Power Schalter und Power LED leuchten nicht.	Netzverbindung überprüfen. Anlage vom Netz trennen! Primärsicherung der Anlage überprüfen und gegebenenfalls austauschen. Wenn Sicherung wiederholt auslöst, Anlage vom Netz nehmen und autorisiertem Servicezentrum übergeben.
	Power Schalter, ON LED und Protect LED leuchten.	Anlage ist überlastet. Lautstärke reduzieren. Protect LED erlischt nach kurzer Zeit, System ist wieder betriebsbereit.
	Protect LED leuchtet auch nach Reduzierung der Lautstärke weiter.	Interner Defekt. Anlage abschalten, vom Netz nehmen und autorisiertem Servicezentrum übergeben.
HI-Z Eingang wird benutzt, die Gitarre ist aber nicht zu hören, obwohl sowohl HI-Z und Main Level Regler aufgedreht sind.	Schalter 4 steht auf Position links (MP3).	Lautstärke von Gitarrenkanal reduzieren und Schalter in Position rechts (HI-Z) bringen.
MP3 Eingang wird benutzt, MP3-Player ist aber nicht zu hören, obwohl sowohl MP3 und Main Level Regler aufgedreht sind.	Schalter 4 steht auf Position rechts (HI-Z).	Lautstärke von MP3 Kanal reduzieren und Schalter in Position links (MP3) bringen.
Mikrofonsignal verzerrt.		Lautstärke von Mikrofonkanal reduzieren und Gesamtlautstärke (Main Level) erhöhen. Lautstärke von evtl. zusätzlich angeschlossener Signalquelle (z.B. Keyboard) gleichermaßen reduzieren.
Gitarren-/MP3-Signal verzerrt.		Lautstärke von Gitarren-/MP3-Kanal reduzieren und Gesamtlautstärke (Main Level) erhöhen. Lautstärke von evtl. zusätzlich angeschlossener Signalquelle (z.B. Keyboard, Mikrofon) gleichermaßen reduzieren.
		Lautstärke von Signalquelle (z.B. Gitarre, MP3-Player) reduzieren und Kanal- bzw. Gesamtlautstärke erhöhen.

FEHLERSUCHE:

PROBLEM	ANZEIGE	LÖSUNG
Signal von Line-Eingang verzerrt.		Lautstärke von Line-Kanal reduzieren und Gesamtlautstärke (Main Level) erhöhen. Lautstärke von evtl. zusätzlich angeschlossener Signalquelle (z.B. Keyboard, Mikrofon) gleichermaßen reduzieren.
		Lautstärke von Signalquelle (z.B. Mischpult) reduzieren und Kanal- bzw. Gesamtlautstärke erhöhen.
Gesamtsignal verzerrt.	Limit LED leuchtet permanent auf.	Gesamtlautstärke (MAIN LEVEL) reduzieren.

ENGLISH

DEUTSCH

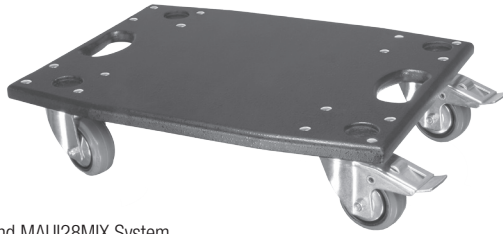
FRANCAIS

ESPAÑOL

POLSKI

ITALIANO

OPTIONALES ZUBEHÖR:



LDM28CB

Rollenbrett für Maui28 und MAUI28MIX System



LDM28SATBAG

Transporttasche für MAUI28 und MAUI28MIX Säulenlautsprecher



LDM28SUBPC

Transporttasche für MAUI28 und MAUI28MIX Subwoofer

ENGLISH

DEUTSCH

FRANCAIS

ESPAÑOL

POLSKI

ITALIANO

SPEZIFIKATIONEN:

Modellbezeichnung:	LDMAUI28MIX
Produktart:	PA Komplettsystem
Typ:	aktiv
Farbe:	schwarz
Max. SPL (continuous):	115 dB
Max. SPL (Peak):	123 dB
Frequenzgang:	45 Hz - 20.000 Hz
Abstrahlwinkel (H x V):	120° (horizontal)
Gewicht:	35 kg
Subwoofer	
Größe Tieftöner:	2 x 8"
Größe Tieftöner:	2 x 203 mm
Magnet Tieftöner:	Ferrit
Marke Tieftöner:	Custom Made
Gehäusebauart:	V-Konstruktion, Bassreflex
Gehäusematerial:	15 mm Sperrholz
Gehäuseoberfläche:	Dura Coat LX Strukturlack
Abmessungen Subwoofer (B x H x T):	390 x 450 x 510 mm
Features Subwoofer:	ergonomisch gefräste Griffe, Custom Made Multipin Connector für vertikal Array
Mid / Hi System	
Größe Mittentöner:	16 x 3"
Größe Mittentöner:	16 x 76 mm
Magnet Mittentöner:	Neodym
Marke Mittentöner:	Custom Made
Größe Hochtöner:	1"
Größe Hochtöner:	25 mm
Magnet Hochtöner:	Ferrit
Marke Hochtöner:	Custom Made
Lautsprechereingänge:	1
Lautsprechereingangsanschlüsse:	Custom made multipin

SPEZIFIKATIONEN:

Gehäusebauart Mid/Hi System:	geschlossen
Gehäusematerial Mid/Hi System:	Aluminium
Gehäuseoberfläche Mid/Hi System:	Lack
Abmessungen Mid/Hi System (B x H x T):	110 x 790 x 90 mm
Features Mid/Hi System:	Vertikales Array mit 4-Wege Amping und extrem breitem Abstrahlverhalten
Verstärkermodul	
Verstärker:	5-Wege Class A/B
Verstärkerleistung System (RMS):	400 W
Verstärkerleistung Subwoofer (RMS):	200 W
Verstärkerleistung Mid/Hi (RMS):	4 x 50 W
Schutzschaltungen:	Dual Limiter
Kühlung:	Aluminium Kühlkörper
Bedienelemente:	Main Level, Sub Level, Mic Level, Line Level, MP3 / Hi-Z Level, Input Switch (Hi-Z / MP3), ON / OFF
Anzeigelemente:	LEDs für: On, Locked, Signal, Limit, Protect
Stromversorgung:	Transformator
Betriebsspannung:	220 V AC - 240 V AC, 50 - 60 Hz
Stromaufnahme (max.)	600 VA
Line-Eingänge:	2
Line-Eingangsanschlüsse:	XLR / 6,3 mm Klinke Combo, Cinch
Mikrofon-Eingänge:	1
Mikrofon-Eingangsanschlüsse:	XLR / 6,3 mm Klinke Combo
Hi-Z Eingänge:	1 (alternativ zu MP3-Player Eingang)
Hi-Z Eingangsanschlüsse:	6,3 mm Klinke
MP3-Player Eingänge:	1 (alternativ zu Hi-Z Eingang)
MP3-Player Eingangsanschlüsse:	3,5 mm Stereo Klinke
Lautsprecherausgänge:	1
Lautsprecherausgangsanschlüsse:	Custom Made Multipin
Weitere Eigenschaften:	100 Hz Hochpass-Filter im Mikrofonkanal

ENGLISH

DEUTSCH

FRANCAIS

ESPAÑOL

POLSKI

ITALIANO

HERSTELLERERKLÄRUNGEN:

GARANTIEBESTIMMUNGEN

Diese Garantie erstreckt sich auf die Marken Adam Hall, LD Systems, Defender, Palmer und Cameo.

Sie gilt für alle Produkte im Vertrieb von Adam Hall.

Diese Garantieerklärung berührt nicht die gesetzlichen Gewährleistungsansprüche an den Hersteller, sondern erweitert diese um zusätzliche Garantieansprüche gegenüber der Firma Adam Hall.

Adam Hall garantiert für den Zeitraum von zwei beziehungsweise fünf Jahren (bitte produktspezifisch erfragen) ab Kaufdatum, dass dieses Adam Hall-Produkt, welches Sie direkt über Adam Hall oder einen von Adam Hall autorisierten Händler erworben haben, bei bestimmungsgemäßem Gebrauch frei von Material- und Fertigungsfehlern ist.

Der Garantiezeitraum beginnt mit dem Kaufdatum des Produkts, das im Garantiefall entsprechend nachzuweisen ist (durch Vorlegen der Rechnung oder des Lieferscheins mit dem Kaufdatum). Sollte bei Produkten der oben genannten Marken innerhalb der Garantiezeit eine Reparatur erforderlich sein, sind Sie berechtigt, diese zu den hier aufgeführten Bedingungen durchführen zu lassen.

Innerhalb des Garantiezeitraums übernimmt Adam Hall die Reparatur oder den Ersatz der defekten Komponente(n) bzw. des Produkts. Im Falle einer Reparatur bzw. eines Austauschs innerhalb des Garantiezeitraumes gehen ausgetauschte Originalteile bzw. Produkte in das Eigentum der Firma Adam Hall über.

Sollte der unwahrscheinliche Fall eintreten, dass bei dem von Ihnen erworbenen Produkt ein Fehler wiederholt auftritt, hat die Firma Adam Hall das Recht, das defekte Produkt nach eigenem Ermessen durch ein anderes Produkt zu ersetzen, sofern das neue dem ausgetauschten Produkt in Bezug auf die technischen Spezifikationen mindestens gleichwertig ist.

Adam Hall übernimmt keine Garantie für einen störungs- und/oder fehlerfreien Betrieb dieses Produkts. Auch für Schäden durch Nichtbeachtung der diesem Adam Hall-Produkt beiliegenden Bedienungsanleitung und anderen Unterlagen ist Adam Hall nicht verantwortlich. Die Herstellergarantie gilt nicht - für Verschleißteile (z. B. Akkus) - für Produkte, von denen die Seriennummer entfernt wurde oder die aufgrund eines Unfalls beschädigt wurden - für Schäden durch unsachgemäßen Betrieb, durch Fehlbedienung oder andere externe Gründe

- für Schäden an Geräten, die nicht entsprechend den Betriebsparametern betrieben wurden (Parameter gemäß den im Lieferumfang enthaltenen Unterlagen),

- für Schäden durch die Verwendung nicht von Adam Hall hergestellter, vertriebener oder empfohlener Ersatzteile,

- für Schäden durch Fremdeingriffe/Modifikationen oder nicht durch Adam Hall durchgeführte Reparaturen.

Diese Bestimmungen und Bedingungen stellen die vollständige und ausschließliche Garantievereinbarung zwischen Ihnen und Adam Hall für das von Ihnen erworbene Adam Hall-Produkt dar.

HAFTUNGSBESCHRÄNKUNG

Falls an Hardware-Produkten von Adam Hall innerhalb der Garantiezeit Material- oder Verarbeitungsfehler (gemäß der Garantieerklärung oben) auftreten, besteht Ihr alleiniger und ausschließlicher Anspruch aus dieser Garantie in der Reparatur oder dem Austausch des Geräts. Die maximale Haftung der Firma Adam Hall ist entsprechend dieser Garantie ausdrücklich auf den Kaufpreis oder die Kosten für eine Reparatur oder Ersatz – und zwar den jeweils niedrigeren Betrag – der bei üblichem Gebrauch fehlerhafter Komponenten begrenzt.

Adam Hall ist nicht haftbar für jegliche durch das Produkt oder das Versagen des Produkts verursachte Schäden, einschließlich Gewinneinbußen und unterbliebener Einsparungen sowie besonderer, indirekter oder Folgeschäden. Des Weiteren ist Adam Hall nicht haftbar gegenüber Rechtsansprüchen Dritter oder durch Sie im Namen Dritter angemeldeten Forderungen.

Diese Haftungsbeschränkung gilt unabhängig davon, ob Schäden gerichtlich verfolgt oder Schadensersatzansprüche im Rahmen dieser Garantie oder aufgrund unerlaubter Handlungen (einschließlich Fahrlässigkeit und Gefährdungshaftung) oder aufgrund vertraglicher oder sonstiger Ansprüche gestellt werden, und kann von niemandem aufgehoben oder verändert werden. Diese Haftungsbeschränkung ist auch dann gültig, wenn Sie die Firma Adam Hall oder einen autorisierten Vertreter von Adam Hall auf die Möglichkeit solcher Schäden aufmerksam gemacht haben, nicht jedoch bei Schadensersatzansprüchen in Zusammenhang mit Personenschäden.

Diese Herstellergarantie räumt Ihnen bestimmte Rechte ein; je nach Gerichtsbarkeit (Staat oder Land) stehen Ihnen möglicherweise weitere Ansprüche zu. Es ist ratsam, in solchen Fällen die entsprechenden Gesetze heranzuziehen, um Ihre Rechte umfassend zu ermitteln.

INANSPRUCHNAHME DER GARANTIE

Wenden Sie sich im Garantiefall direkt an Adam Hall oder den von Adam Hall autorisierten Händler, bei dem Sie das Produkt erworben haben.

EG-KONFORMITÄTserklärung

Die von Adam Hall vertriebenen Geräte entsprechen (soweit zutreffend) den grundlegenden Anforderungen und weiteren relevanten Spezifikationen der Richtlinien 1999/5/EC (R&TTE), 2004/108/EC (EMC) und 2006/95/EC (LVD). Weitere Informationen finden Sie unter www.adamhall.com.

HERSTELLERERKLÄRUNGEN:

ENGLISH

DEUTSCH

FRANCAIS

ESPAÑOL

POLSKI

ITALIANO

KORREKTE ENTSORGUNG DIESES PRODUKTES

(Gültig in der Europäischen Union und anderen europäischen Ländern mit Mülltrennung)



Dieses Symbol auf dem Produkt oder dazugehörigen Dokumenten weist darauf hin, dass das Gerät am Ende der Produktlebenszeit nicht zusammen mit dem normalen Hausmüll entsorgt werden darf, um Umwelt- oder Personenschäden durch unkontrollierte Abfallentsorgung zu vermeiden. Bitte entsorgen Sie dieses Produkt getrennt von anderen Abfällen und führen es zur Förderung nachhaltiger Wirtschaftskreisläufe dem Recycling zu.

Als Privatkunde erhalten Sie Informationen zu umweltfreundlichen Entsorgungsmöglichkeiten über den Händler, bei dem das Produkt erworben wurde, oder über die entsprechenden regionalen Behörden.

Als gewerblicher Nutzer kontaktieren Sie bitte Ihren Lieferanten und prüfen die ggf. vertraglich vereinbarten Konditionen zur Entsorgung der Geräte. Dieses Produkt darf nicht zusammen mit anderen gewerblichen Abfällen entsorgt werden.

UMWELTSCHUTZ UND ENERGIESPAREN

Energiesparen ist ein aktiver Beitrag zum Umweltschutz. Schalten Sie bitte alle nicht benötigten elektrischen Geräte aus. Um zu verhindern, dass nicht benötigte Geräte im Standby-Modus Strom verbrauchen, ziehen Sie den Netzstecker.

Adam Hall GmbH, alle Rechte vorbehalten. Die technischen Daten und die funktionalen Produkteigenschaften können Änderungen und Irrtümer vorbehalten. Das Kopieren, die Übersetzung, und alle anderen Formen des Kopierens von Fragmenten oder der Vollständigkeit dieser Bedienungsanleitung ist untersagt.

ENGLISH

DEUTSCH

FRANCAIS

ESPAÑOL

POLSKI

ITALIANO

Vous avez fait le bon choix !

Cet appareil a été développé et fabriqué en appliquant des exigences de qualité très élevées : il garantit des années de fonctionnement sans problème. Grâce à de nombreuses années d'expérience, LD Systems est un nom connu dans le domaine des produits audio haut de gamme.

Veuillez lire attentivement ce Manuel Utilisateur : vous apprendrez rapidement à utiliser votre appareil LD Systems de façon optimale.

Pour plus d'informations sur LD Systems, visitez notre site Web, WWW.LD-SYSTEMS.COM

Introduction

La version MIX du MAUI28 ajoute encore à la polyvalence de cette solution de sonorisation : Sa connectique plus complète et ses possibilités de mixage des sources audio font de ce système de sonorisation compact une solution idéale et universelle pour les artistes solo, les DJs, les animateurs et conférenciers. Ses lignes élégantes assurent une intégration facile dans des décors élaborés et des ambiances exigeantes.

L'entrée micro s'effectue sur connecteur de type Combo (XLR/jack 6,35 mm) ; une entrée instrument sur jack haute impédance pour guitare, et une entrée stéréo sur mini-jack 3,5 mm pour lecteur MP3 s'activent par sélecteur. Pour accueillir console de mixage, ordinateur et toute autre source de signal au niveau ligne, par exemple des claviers, le système LD MAUI28MIX est équipé de connecteurs RCA et Combo. Ces trois canaux d'entrée peuvent bien sûr être utilisés simultanément ; des potentiomètres séparés permettent de régler le niveau de chacun, le niveau sonore global et celui des graves.

Pour une plus grande sécurité d'exploitation, un double limiteur intégré et un circuit de protection sont prévus. La conception Plug & Play intelligente fait intervenir des connecteurs multipoints spécifiques pour la colonne, ce qui rend le montage et le démontage extrêmement simples et rapides. L'amplification utilise 5 modules, travaillant en Classe AB, sur des bandes de fréquences différentes, pour une restitution parfaitement équilibrée alliant homogénéité, naturel et dynamique élevée. Grâce à un angle de dispersion horizontale très large (120°) et à une grande insensibilité au Larsen, plus besoin de retours de scène.

LD MAUI28MIX

SYSTÈME DE SONORISATION ACTIF DE TYPE COLONNE,
MIXEUR 3 CANAUX INTÉGRÉ



MESURES PRÉVENTIVES :

1. Veuillez lire attentivement ce manuel.
2. Rangez tous les documents d'information et d'instructions en lieu sûr.
3. Veuillez suivre toutes les instructions
4. Observez tous les messages d'avertissement N'enlevez pas de l'appareil les étiquettes de sécurité ou autres informations.
5. N'utilisez l'appareil que pour des applications et de la façon appropriées.
6. Utilisez exclusivement des pieds et des dispositifs de fixation stables et adaptés lorsque l'appareil est utilisé en installation fixe. Assurez-vous que les fixations murales ont été montées correctement, et qu'elles sont sécurisées. Vérifiez que l'appareil est installé en toute sécurité, et qu'il ne peut pas tomber.
7. Lors de l'installation, observez les réglementations de sécurité en vigueur dans votre pays.
8. N'installez et n'utilisez pas l'appareil à proximité de radiateurs, d'accumulateurs de chaleur, de fours ou de toute autre source de chaleur. Vérifiez que l'appareil est installé de façon à bénéficier en permanence d'un refroidissement efficace et qu'il ne peut pas chauffer de façon excessive.
9. Ne placez aucune source de flamme sur l'appareil – par exemple, une bougie allumée.
10. Ne bloquez pas les orifices d'aération.
11. N'utilisez pas l'appareil à proximité immédiate d'eau (à moins qu'il ne s'agisse d'un appareil conçu pour une utilisation en extérieur – dans ce cas, respectez les instructions correspondantes ci après) Ne mettez pas l'appareil en contact avec des matériaux, des liquides ou des gaz inflammables.
12. Vérifiez qu'aucune projection ou liquide ne puisse s'introduire dans l'appareil. Ne posez sur l'appareil aucun objet renfermant du liquide : vase, verre d'eau...
13. Vérifiez qu'aucun petit objet ne puisse tomber à l'intérieur de l'appareil.
14. N'utilisez avec cet appareil que des accessoires recommandés et approuvés par le fabricant.
15. N'ouvrez pas l'appareil, et n'essayez pas de le modifier.
16. Lors du branchement de l'appareil, sécurisez le passage du câble secteur, afin d'éviter tout dommage ou accident, par exemple quelqu'un qui trébucher sur le câble.
17. Lors du transport, vérifiez que l'appareil ne peut tomber, ce qui pourrait provoquer des dommages matériels et/ou corporels.
18. Si votre appareil ne fonctionne plus correctement, que de l'eau ou des objets ont pénétré à l'intérieur, ou qu'il a été endommagé de quelque façon que ce soit, éteignez-le immédiatement et débranchez sa prise secteur (s'il s'agit d'un appareil alimenté). Cet appareil ne doit être réparé que par un personnel autorisé.
19. Pour le nettoyage de l'appareil, utilisez un chiffon sec/
20. Observez toutes les réglementations en vigueur dans votre pays pour mettre l'appareil au rebut. Lorsque vous jetez l'emballage de l'appareil, veuillez séparer plastique, papier et carton.
21. Les films plastique doivent être mis hors de portée des enfants.

APPAREILS RELIÉS AU SECTEUR :

22. ATTENTION : Si le câble de l'appareil est muni d'un fil de terre, il doit être relié à une prise murale avec terre. Ne désactivez jamais la mise à la terre d'un appareil.
23. N'allumez pas l'appareil immédiatement s'il a subi une grande différence de température ambiante (par exemple, lors du transport). L'humidité et la condensation pourraient l'endommager. Ne mettez l'appareil sous tension que lorsqu'il est parvenu à la température de la pièce.
24. Avant de relier l'appareil à la prise murale, vérifiez que la valeur et la fréquence de tension secteur sur laquelle il est réglé correspondent bien à la valeur et à la fréquence de la tension secteur locale. Si l'appareil possède un sélecteur de tension, ne le branchez sur la prise murale qu'après avoir vérifié que la valeur réglée correspond à la valeur effective de la tension secteur. Si la fiche du cordon secteur ou du bloc adaptateur livré avec votre appareil ne correspond pas au format de votre prise murale, veuillez consulter un électricien.
25. Ne piétinez pas le câble secteur. Assurez-vous que le câble secteur n'est pas trop pincé, notamment au niveau de l'arrière de l'appareil (ou de son adaptateur secteur) et de la prise murale.

SÉCURITÉ :

ENGLISH

DEUTSCH

FRANCAIS

ESPAÑOL

POLSKI

ITALIANO

26. Lors du branchement de l'appareil, vérifiez que l'accès au câble secteur ou au bloc adaptateur reste facile. Sortez la fiche secteur de la prise murale dès que vous n'utilisez pas l'appareil pendant un certain temps, ou si vous désirez nettoyer l'appareil. Pour ce faire, tirez toujours sur la fiche elle-même, ou sur le bloc secteur lui-même ; ne tirez jamais sur le câble. Ne manipulez jamais le câble secteur ou l'adaptateur secteur avec des mains mouillées.
27. N'éteignez/rallumez pas l'appareil rapidement plusieurs fois de suite : vous risquez de réduire la longévité de ses composants internes.
28. CONSEIL IMPORTANT : Ne remplacez le fusible que par un fusible de même type et du même calibre. Si le fusible fond de façon répétée, veuillez consulter un centre de réparations agréé.
29. Pour séparer complètement l'appareil du secteur, débranchez le cordon secteur ou l'adaptateur de la prise murale.
30. Si votre appareil est muni d'un connecteur secteur verrouillable (Volex), il faut d'abord déverrouiller le mécanisme avant d'enlever le cordon secteur. Attention, lorsque vous retirez le câble secteur, à ne pas faire bouger l'appareil, ce qui pourrait se traduire par un risque de chute, de blesser quelqu'un, ou tout autre dommage. Manipulez toujours le cordon secteur avec soin.
31. Débranchez la fiche secteur ou l'adaptateur de la prise murale en cas d'orage, ou si vous n'utilisez pas l'appareil pendant une longue période.



ATTENTION :

Ne démontez jamais le couvercle de l'appareil, vous risquez de recevoir un choc électrique. L'appareil ne renferme aucune pièce ni composant réparable ou remplaçable par l'utilisateur. Ne confiez sa réparation qu'à un personnel technique qualifié.



Le pictogramme en forme de triangle équilatéral renfermant un éclair signale à l'utilisateur la présence à l'intérieur de l'appareil d'une tension dangereuse non protégée, suffisamment élevée pour présenter un risque pour les personnes.



Le pictogramme en forme de triangle équilatéral renfermant un point d'exclamation signale à l'utilisateur la présence d'instructions importantes concernant l'utilisation ou l'entretien de l'appareil.

ATTENTION NIVEAUX SONORES ÉLEVÉS SUR LES PRODUITS AUDIO

Cet appareil a été conçu en vue d'une utilisation professionnelle. L'utilisation commerciale de cet appareil est soumise aux réglementations et directives en vigueur dans votre pays en matière de prévention d'accident. En tant que fabricant, Adam Hall est tenu de vous avertir formellement des risques relatifs à la santé. Risques provoqués par une exposition prolongée à des niveaux sonores élevés : Lors de l'utilisation de ce produit, il est possible d'atteindre des niveaux de pression sonore (exprimés en dB SPL) élevés, susceptibles de provoquer des dommages auditifs irréparables chez les artistes, les techniciens et le public. Évitez toute exposition prolongée à des niveaux de pression sonore élevés (supérieurs à 90 dB SPL).

ATTENTION ! CONSEILS IMPORTANTS POUR LES PRODUITS 'ÉCLAIRAGE

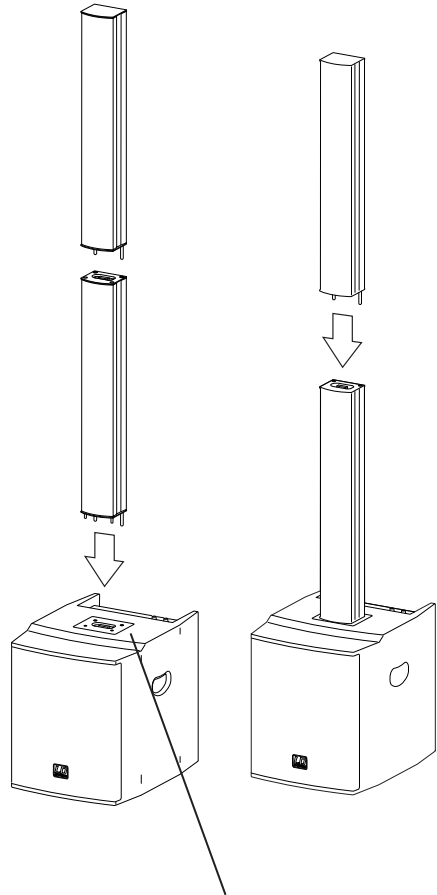
1. Ne regardez pas directement l'appareil si vous vous trouvez à une distance de moins de 40 cm.
2. Ne fixez jamais le rayon lumineux, même pendant une courte durée, même à distance moyenne.
3. Ne regardez jamais le rayon lumineux par l'intermédiaire d'un appareil optique grossissant (jumelles par exemple).
4. Les effets stroboscopiques peuvent, dans certaines circonstances, provoquer des crises d'épilepsie chez les sujets sensibles. Les personnes concernées doivent donc absolument éviter les lieux dans lesquels les stroboscopes sont utilisés.

INSTALLATION :

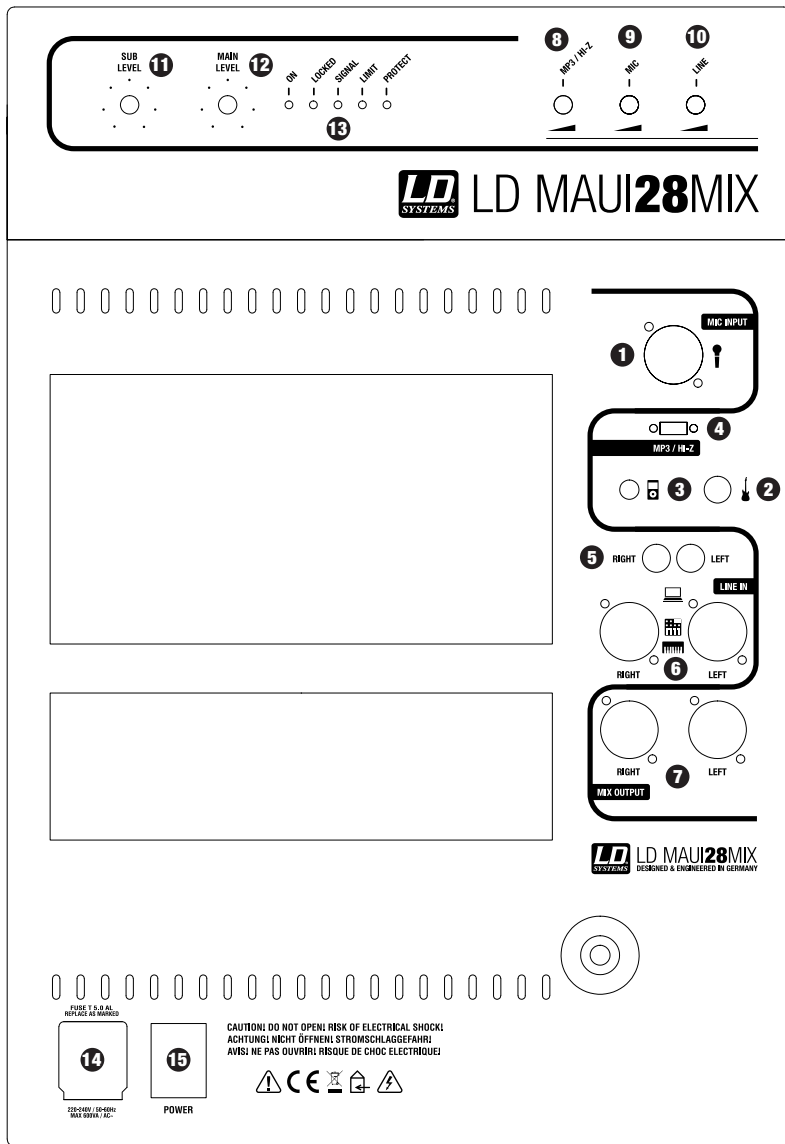
Le système "All in one Array" LD Systems MAUI 28 est composé des trois éléments suivants:

1. Caisson de basses intégrant l'électronique pour les 3 parties du système et le connecteur multipoints (voir illustration **1**) pour la colonne array verticale.
2. La partie inférieure de la colonne array verticale avec 8 haut-parleurs trois pouces et 2 connecteurs multibroches, l'un sous la base, l'autre à son sommet.
3. La partie supérieure de la colonne array verticale avec 8 haut-parleurs trois pouces, un moteur d'aigus et un connecteur multibroche situé sous sa base.

Une fois le caisson de basses installé veuillez placer la partie inférieure de la colonne verticale sur le caisson. Les 4 broches en acier vous aident à guider les connecteurs multibroches et à les emboîter parfaitement. La partie supérieure de la colonne verticale peut à présent être montée de la même manière sur la partie inférieure. Après la mise sous tension du MAUI 28 une LED de contrôle ("Locked") vous indiquent si le système a été correctement connecté.



CONNECTEURS, CONTRÔLES ET INDICATEURS :



ENGLISH

DEUTSCH

FRANCAIS

ESPAÑOL

POLSKI

ITALIANO

FUSE 1 (R) & (L)
REPLACE AS MARKED



CAUTION! DO NOT OPEN! RISK OF ELECTRICAL SHOCK!
ACHTUNG! NICHT ÖFFNEN! STROMSCHLAGEGFAHR!
AVIS! NE PAS OUVRIRE! RISQUE DE CHOC ELECTRIQUE!



250-050V / 0.040Ah
5000-00000-100

POWER

LD SYSTEMS LD MAUI28MIX
DESIGNED & ENGINEERED IN GERMANY

CONNECTEURS, CONTRÔLES ET INDICATEURS :

1 MIC INPUT

Entrée micro symétrique (connecteur Combo, mixte XLR/jack 6,35 mm) Cette entrée est compatible avec un signal asymétrique (issu d'un microphone possédant un connecteur jack mono). Elle est équipée d'un filtre passe-haut à 100 Hz, permettant d'atténuer les parasites de fréquence grave
ATTENTION : Cette entrée microphone ne possède pas d'alimentation fantôme.

2 HI-Z INPUT

Entrée à haute impédance, pour guitare acoustique ou électrique. Pour pouvoir utiliser cette entrée, le sélecteur 4 doit se trouver sur la droite (côté icône de guitare, HI-Z). Le canal est alors commuté en mono.

3 MP3 INPUT

Entrée sur mini-jack stéréo 3,5 mm pour lecteur MP3. Pour pouvoir utiliser cette entrée, le sélecteur 4 doit se trouver sur la gauche (côté lecteur, MP3)). Le canal est alors commuté en stéréo.

4 SÉLECTEUR MP3 / HI-Z

S'il se trouve à gauche, l'entrée MP3 est active ; s'il se trouve à droite, l'entrée HI-Z est active.

5 LINE INPUT (LEFT / RIGHT) ASYMÉTRIQUE

Entrée ligne asymétrique (sur connecteur RCA/cinch), pour raccord d'une source de signal (par exemple, ordinateur portable).

6 LINE INPUT (LEFT / RIGHT) SYMÉTRIQUE

Entrée ligne symétrique (sur connecteur Combo, mixte XLR/jack 6,35 mm), pour raccord d'une source de signal (par exemple, table de mixage ou clavier).

7 MIX OUTPUT (LEFT / RIGHT) SYMÉTRIQUE

Cette sortie stéréo symétrique sur XLR est indépendante du réglage de Main Level ; elle séfinit le niveau du signal mixé de l'entrée micro, de l'entrée Hi Z / MP3 et de l'entrée ligne.

8 MP3 / HI-Z

Potentiomètre de réglage de volume pour le canal MP3 / HI-Z.

9 MIC

Réglage de volume de l'entrée micro.

10 LINE

Potentiomètre de réglage de volume de l'entrée ligne

11 SUB LEVEL

Ce potentiomètre permet de doser l'équilibre entre le volume du caisson de basses et celui des enceintes satellites.

12 MAIN LEVEL

Réglage du volume général Le niveau du caisson de basses se règle indépendamment, via le potentiomètre SUB LEVEL.

CONNECTEURS, CONTRÔLES ET INDICATEURS :

ENGLISH

DEUTSCH

FRANCAIS

ESPAÑOL

POLSKI

ITALIANO

13 INDICATEURS LED

ON : S'allume dès que l'enceinte amplifiée est reliée au secteur et mise sous tension.

LOCKED : Après la mise sous tension du MAUI 28, cette LED de contrôle vous indique si le système a été correctement connecté.

SIGNAL : S'allume en présence d'un signal audio.

LIMIT : S'allume dès que le retour amplifié arrive à ses limites de fonctionnement. Pas de problème si cette LED ne clignote qu'occasionnellement : dans ce cas le limiteur audio interne compense les dépassements de niveau. En revanche, si elle reste allumée pendant de longues périodes, il convient de réduire le niveau du signal d'entrée.

PROTECT : La LED Protect s'allume également lorsque le circuit de protection des étages de sortie est activé. Dans ce cas, afin de protéger les circuits de sortie et les enceintes connectées, les sorties haut-parleur sont coupées. Lorsque la source du problème disparaît (par exemple, surcharge ou court-circuit au niveau des sorties haut-parleur), l'amplificateur revient rapidement de lui-même à un mode de fonctionnement normal ; la LED Protect s'éteint et les sorties haut-parleur sont rétablies.

14 EMBASE SECTEUR

Embase au format IEC, avec porte-fusible intégré.

CONSEIL IMPORTANT : Remplacez exclusivement le fusible par un fusible neuf du même format et du même calibre (valeurs indiquées sur le panneau arrière de l'appareil). Si le fusible fond de façon répétée, veuillez consulter un centre de réparations agréé.

15 POWER

Interrupteur marche / arrêt lumineux Avant d'allumer ou d'éteindre le système, mettez toujours le potentiomètre de volume à zéro (tourné à fond à gauche).

ASSIGNATION DES FRÉQUENCES :

TWEETER

8.000 Hz - 20.000 Hz
Filtrage passif

HAUT-MÉDIUMS - AIGUS

500 Hz - 20.000 Hz

Puissance d'amplification 50 W (efficaces)

MÉDIUMS

170 Hz - 1.300 Hz

Puissance d'amplification 50 W (efficaces)

MÉDIUMS

170 Hz - 900 Hz

Puissance d'amplification 50 W (efficaces)

BAS-MÉDIUM

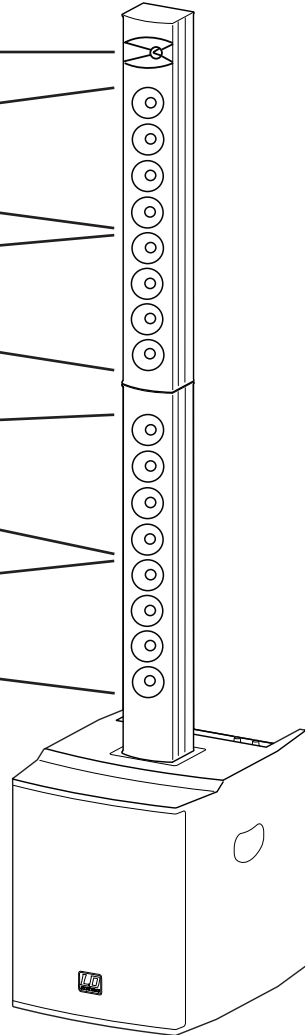
170 Hz - 600 Hz

Puissance d'amplification 50 W (efficaces)

CAISSON DE BASSES

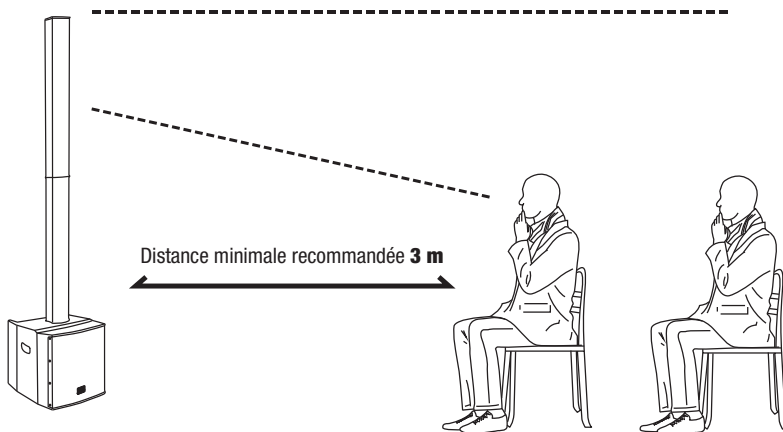
45 Hz - 170 Hz

Puissance d'amplification 200 W (efficaces)



Le filtre 5 voies du LD MAUI28MIX assure une répartition régulière du spectre sonore sur tous les transducteurs, ce qui se traduit par un son clair, dynamique et équilibré. La disposition en array assure une meilleure diffusion de l'énergie sonore, et une dispersion d'une régularité exceptionnelle sur toute l'étendue du lieu à sonoriser.

POSITION DES HP :



Dans le cas d'un public assis, nous recommandons de laisser une distance minimale d'environ 3 mètres entre le MAUI28MIX et la première rangée de chaises, afin d'offrir aux spectateurs un spectre sonore optimal.

ENGLISH

DEUTSCH

FRANCAIS

ESPAÑOL

POLSKI

ITALIANO

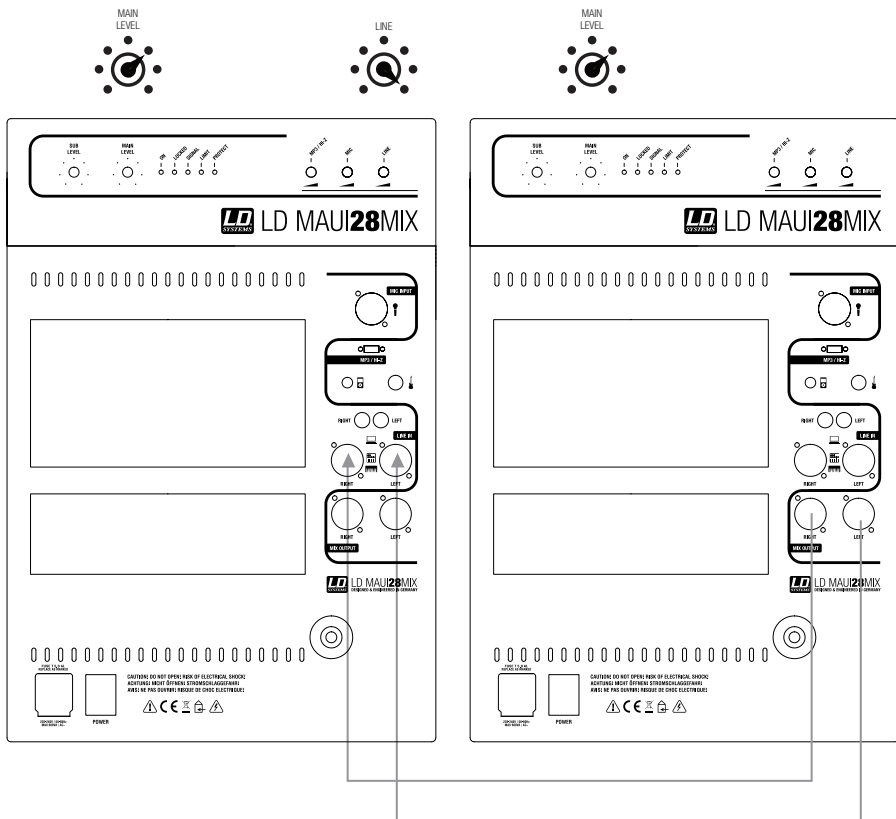
EXEMPLE D'UTILISATION :

Procédure pour relier plusieurs MAUI28MIX en une même chaîne :

1. Reliez la sortie MIX OUTPUT (LEFT / RIGHT) du système principal à l'entrée LINE INPUT (LEFT / RIGHT) du système suivant, avec des câbles XLR. Procédez de même avec le système suivant jusqu'à la fin de la chaîne.
2. Réglez le potentiomètre LINE du système suivant en position maximale (à fond à droite).
3. Pour obtenir un niveau sonore identique sur tous les systèmes, il suffit de régler le potentiomètre MAIN LEVEL et celui des autres systèmes sur la même position, correspondant au volume sonore désiré.

Système suivant

Système principal



EN CAS DE PROBLÈME :

PROBLÈME :	INDICATION :	SOLUTION
L'appareil est en position On, mais rien ne se passe.	L'interrupteur Power et la LED Power ne s'allument pas.	Vérifier le branchement secteur. Débrancher l'appareil ! Vérifiez le fusible primaire de l'appareil, et le cas échéant, remplacez-le. Si le fusible fond de nouveau, débranchez l'appareil du secteur et confiez-le à un centre de SAV agréé.
	L'interrupteur Power, la LED Power et la LED Protect s'allument.	L'appareil est en surcharge. Réduire le niveau sonore. La LED Protect se rallume peu après, le système est de nouveau prêt à l'emploi.
	La LED Protect s'allume toujours après que le niveau sonore du système a été réduit.	Problème interne Éteignez l'appareil, débranchez-le du secteur et confiez-le à un centre de SAV agréé.
L'entrée Hi-Z reçoit un connecteur, mais on n'entend pas la guitare, alors que les potentiomètres Hi-Z et Main Level sont montés.	Le sélecteur 4 se trouve à gauche (côté icône de lecteur MP3)	Réduire le niveau du canal de guitare, puis placez le sélecteur à droite (côté icône de guitare).
L'entrée MP3 reçoit des connecteurs, mais on n'entend pas le lecteur MP3, alors que les potentiomètres MP3 et Main Level sont montés.	Le sélecteur 4 se trouve à droite (Hi-Z, côté icône de guitare)	Réduire le niveau du canal MP3, puis placez le sélecteur à gauche (côté icône de guitare).
Distorsion sur le signal du microphone.		Réduisez le volume sur le canal microphone et augmentez le niveau global (Main Level). Réduire simultanément les niveaux des autres sources de signal éventuellement connectées (clavier, par exemple).
Distorsion sur le signal de guitare/lecteur MP3.		Réduisez le volume sur le canal guitare/MP3 et augmentez le niveau global (Main Level). Réduire simultanément les niveaux des autres sources de signal connectées (par exemple, clavier, microphone...).
		Réduire le niveau des sources de signal (par exemple, (par exemple, guitare, lecteur de MP3) et montez le niveau du canal et le niveau global

ENGLISH

DEUTSCH

FRANCAIS

ESPAÑOL

POLSKI

ITALIANO

EN CAS DE PROBLÈME :

PROBLÈME :	INDICATION :	SOLUTION
Distorsion sur le signal de l'entrée ligne		Réduire le niveau sur le canal ligne et augmenter le niveau global (Main Level). Réduire simultanément les niveaux des autres sources de signal connectées (par exemple, clavier, microphone...).
		Réduire le niveau des sources de signal (par exemple, table de mixage) puis augmenter le niveau du canal et le niveau global
Distorsion sur le signal global.	La LED Limit reste allumée en permanence.	Réduire le niveau global (MAIN LEVEL)

ENGLISH

DEUTSCH

FRANCAIS

ESPAÑOL

POLSKI

ITALIANO

ACCESSOIRES EN OPTION :



LDM28CB

Plateau à roulettes pour systèmes Maui28 et MAUI28MIX



LDM28SATBAG

Housse de transport pour colonnes systèmes Maui28 et MAUI28MIX



LDM28SUBPC

Housse de transport pour caisson de basses systèmes Maui28 et MAUI28MIX

ENGLISH

DEUTSCH

FRANCAIS

ESPAÑOL

POLSKI

ITALIANO

CARACTÉRISTIQUES :

Référence modèle :	LDMAUI28MIX
Type de produit :	Systèmes Sonorisation complet
Type :	actif
Couleur :	noir
Niveau de pression sonore maximal SPL (en continu) :	115 dB
Niveau de pression sonore maximal SPL (crête) :	123 dB
Réponse en fréquence :	45 Hz - 20.000 Hz
Angle de dispersion (H x V) :	120° (horizontal)
Masse :	35 kg
Caisson de basses	
Diamètre boomer :	2 x 8"
Diamètre boomer :	2 x 203 mm
Aimant boomer :	Ferrite
Marque boomer :	fabrication sur cahier de charges
Type de coffret :	Bass reflex, boomers disposés en V
Matériau boîtier :	Contreplaqué épaisseur 15 mm
Finition coffret :	Laque structurée DuraCoat LX
Dimensions caisson de basses (L x H x P) :	390 x 450 x 510 mm
Divers :	Poignées fraisées de forme ergonomique, connecteur multipoints spécifique pour maintien et alimentation de la colonne/array vertical
Satellites médium/aigu	
Diamètre boomer/médium :	16 x 3"
Diamètre boomer/médium :	16 x 76 mm
Aimant boomer/médium :	Néodyme
Marque boomer/médium :	fabrication sur cahier de charges
Diamètre tweeter :	1"
Diamètre tweeter :	25 mm
Aimant tweeter :	Ferrite
Marque tweeter :	fabrication sur cahier de charges
Connecteurs d'entrée :	1
Type connecteur d'entrée :	Multipoints format propriétaire

CARACTÉRISTIQUES :

ENGLISH

DEUTSCH

FRANCAIS

ESPAÑOL

POLSKI

ITALIANO

Type coffret satellite médium/aigu :	fermé
Matériau coffret satellite médium/aigu :	Aluminium
Finition coffret satellite médium/aigu :	Peinture laquée
Dimensions colonne médium/aigu (L x H x P) :	110 x 790 x 90 mm
Divers colonne médium/aigu :	Array vertical, amplificateur 4 voies et angle de dispersion horizontale extrêmement large
Amplification intégrée	
Module amplificateur :	5 canaux, Classe A/B
Puissance totale système (efficace) :	400 W
Puissance amplificateur caisson de graves (efficace) :	200 W
Puissance amplificateurs satellites médium/aigu (efficace) :	4 x 50 W
Fonctions de protection :	Double limiteur
Refroidissement :	radiateur, ailettes aluminium
Contrôles :	Potentiomètres Main Level, Mic Level, Line Level, MP3/Hi-Z Level, sélecteur d'entrée (Hi-Z / MP3), potentiomètre Sub Level, inverseur de polarité du signal (180 ° Phase Reverse), interrupteur ON / OFF
Indicateurs :	LED pour : On, Locked, Signal, Limit, Protect
Alimentation :	Transformateur toroïdal
Tension d'alimentation :	220 - 240 V, 50 - 60 Hz
Consommation (maxi)	600 VA
Nombre d'entrées ligne :	2
Connecteurs entrées ligne :	Combo (XLR/jack 6,35 mm), cinch/RCA
Nombre d'entrées micro :	1
Connecteurs d'entrée micro :	Combo (XLR/jack 6,35 mm)
Entrée haute impédance (Hi-Z) :	1 (canal partagé avec l'entrée lecteur MP3)
Connecteur entrée Hi-Z :	jack 6,35 mm
Entrée lecteur MP3 :	1 (canal partagé avec l'entrée Hi-Z)
Connecteur entrée MP3 :	mini-jack 3,5 mm stéréo
Sorties enceintes :	1
Connecteurs sorties enceintes :	Multipoints format propriétaire
Divers	Filtre passe-bas intégré (fréquence de coupure 100 Hz) sur l'entrée Micro

DECLARATIONS DECLARATIONS :

GARANTIE FABRICANT LIMITÉE

Cette garantie concerne tous les produits de marque Adam Hall, LD Systems, Defender, Palmer et Cameo.

Elle s'applique également à tous les produits distribués par Adam Hall.

Elle ne concerne pas les droits statutaires relatifs à la garantie envers le vendeur. En fait, elle justifie des requêtes en garantie supplémentaires, indépendantes, envers Adam Hall.

Adam Hall garantit, pendant une période s'étendant selon le cas de deux à cinq ans (à vérifier selon le produit) à compter de la date d'achat, que le produit Adam Hall que vous avez acheté directement auprès d'Adam Hall ou chez un revendeur autorisé est dépourvu de défaut, au niveau des composants ou de la fabrication, dans le cadre d'une utilisation normale.

La période pendant laquelle cette garantie limitée est applicable commence à partir de la date d'achat. Cette date se justifie d'après une facture ou un bon de livraison daté. Dans le cas où des produits des marques citées ci avant nécessiteraient une réparation pendant la période de garantie limitée, vous avez droit à des réparations sous garantie, conformément aux termes et conditions exposés dans ce document.

Pendant toute la période de garantie limitée, Adam Hall réparera ou procédera au remplacement de tous les composants défectueux, ou le produit lui-même. En cas de réparation ou d'échange pendant la période de garantie, les pièces originales remplacées ou le produit échangé deviennent la propriété de la société Adam Hall.

Dans le cas improbable où votre produit Adam Hall serait sujet à des défaillances répétées, Adam Hall, à sa discrétion, peut choisir de mettre à votre disposition un appareil de remplacement de son choix, au moins équivalent à votre produit de marque Adam Hall en termes de performances matérielles et techniques.

Adam Hall ne garantit pas que l'utilisation de ce produit ne sera sujette à aucune interruption ni défaillance. Adam Hall n'est pas responsable des dommages occasionnés par le non-respect des instructions contenues dans le manuel d'utilisation livré avec le produit de marque Adam Hall. La garantie fabricant ne s'applique pas - aux pièces d'usure (accumulateurs par exemple) - aux produits dont le numéro de série a été effacé, ou qui ont été endommagés ou rendus inutilisables à la suite d'un accident - aux dommages provoqués une utilisation peu précautionneuse, à une erreur de manipulation ou tout autre motif externe.

- en cas de dommages subis par des appareils suite à une utilisation hors des valeurs d'usage des paramètres (telles que mentionnées dans le manuel utilisateur livré avec le produit)

- en cas de dommages consécutifs à l'utilisation de pièces de rechange non fabriquées ou non vendues par Adam Hall

- en cas de dommages consécutifs à des modifications ou réparations non assurées par Adam Hall

Ces termes et conditions constituent l'accord de garantie complet et exclusif entre vous et Adam Hall, relativement au produit de marque Adam Hall que vous avez acheté.

DECLARATIONS DECLARATIONS :

ENGLISH

DEUTSCH

FRANCAIS

ESPAÑOL

POLSKI

ITALIANO

RESPONSABILITÉ LIMITÉE

Si votre appareil de marque Adam Hall présente, pendant la période de garantie, des défaillances au niveau des composants ou de la fabrication, couvertes par les conditions ci avant, le seul recours, exclusif, est sa réparation ou son remplacement au titre de cette garantie. Dans le cadre de cette garantie limitée, la responsabilité financière maximale d'Adam Hall est expressément limitée à la plus faible des deux sommes suivantes : prix d'achat payé pour le produit ou coût de réparation ou de remplacement de tout composant matériel ne fonctionnant pas correctement dans des conditions normales d'utilisation.

Adam Hall ne peut être tenu pour financièrement responsable de tout dommage causé par le produit ou sa défaillance – y compris toute perte de recettes ou de bénéfices, ni de tout dommage spécifique, incidentel ou consécutif. De plus, Adam Hall n'est pas responsable financièrement en cas de requête émanant d'une tierce partie ou de votre part pour le compte d'une tierce partie.

Cette limitation de responsabilité financière s'applique en cas de demande de dommages et intérêts ou de poursuites, dans le cadre de cette garantie limitée ou en cas de procédure (négligence et stricte responsabilité produit), de non-respect du contrat, ou de toute autre procédure. Cette limitation de responsabilité financière ne peut être annulée ou amendée par quiconque. Cette limitation de responsabilité financière s'applique même si vous avez prévenu Adam Hall ou tout représentant autorisé de Adam Hall de la possibilité de tels dommages. Toutefois, cette limitation de responsabilité financière ne s'applique pas en cas de blessures aux personnes.

Cette garantie fabricant limitée vous donne des droits légaux spécifiques. Vous pouvez également avoir d'autres droits, variables d'un état ou d'un pays à l'autre. Nous vous conseillons de vous reporter aux lois applicables dans votre état ou votre pays afin de déterminer l'étendue exacte de vos droits.

DEMANDE DE RÉPARATIONS SOUS GARANTIE

Pour demander des réparations sous garantie pour votre produit, veuillez contacter Adam Hall ou le revendeur agréé Adam Hall auprès de qui vous l'avez acheté.

DÉCLARATION DE CONFORMITÉ CE

Les appareils commercialisés par Adam Hall répondent (à la date actuelle) aux exigences et spécifications applicables des Directives 1999/5/EC (R&TTE), 2004/108/EC (EMC) et 2006/95/EC (LVD). Pour plus d'informations, référez-vous au site www.adamhall.com.

DECLARATIONS DECLARATIONS :

MISE AU REBUT DE CE PRODUIT

(Applicable dans l'Union Européenne et les autres pays européens dotés de systèmes de collecte sélective)



La présence de ce logo sur le produit ou son manuel d'utilisation indique qu'en fin de vie, il ne doit pas être jeté avec les autres déchets domestiques. Afin d'éviter toute atteinte à l'environnement ou à la santé humaine pouvant résulter d'une gestion incontrôlée des déchets, veuillez assurer son recyclage de manière responsable. Séparez-le des autres types de déchets et recyclez-le, afin de promouvoir la réutilisation durable des ressources naturelles.

Nous conseillons aux utilisateurs non professionnels de contacter le revendeur chez qui ils ont acheté le produit, ou un représentant gouvernemental local, pour plus de détails sur le lieu de collecte et la façon de recycler cet appareil dans le meilleur respect de l'environnement possible..

Nous invitons les utilisateurs professionnels à contacter leur fournisseur et à vérifier les termes et conditions de leur contrat d'achat. Ce produit ne doit pas être mélangé à d'autres déchets commerciaux lors de la collecte.

PROTECTION DE L'ENVIRONNEMENT ET ÉCONOMIES D'ÉNERGIE

Économiser l'énergie constitue une contribution active efficace à la protection de l'environnement. Pensez à éteindre tout appareil électrique dès que vous ne vous en servez plus. Pour éviter que les appareils placés en mode de veille (Standby) ne continuent à consommer de l'électricité, débranchez-les de leur prise secteur.

Adam Hall GmbH, tous droits réservés. Les caractéristiques techniques et les fonctions disponibles sur le produit sont sujettes à modifications. La photocopie, la traduction et toute forme de copie, partielle ou intégrale, de ce manuel utilisateur sont interdites.

ENGLISH

DEUTSCH

FRANCAIS

ESPAÑOL

POLSKI

ITALIANO



ENGLISH

DEUTSCH

FRANCAIS

ESPAÑOL

POLSKI

ITALIANO

¡Gracias por elegir LD-Systems!

Este equipo está diseñado y fabricado con los estándares de calidad más exigentes, para garantizar un correcto funcionamiento durante muchos años. Los productos de LD-Systems se caracterizan por su gran calidad, avalada por el prestigio de la marca y una dilatada experiencia como fabricante.

Lea atentamente este manual de usuario para poder aprovechar rápidamente toda la funcionalidad de su nuevo producto de LD Systems.

Si desea obtener información sobre LD-SYSTEMS, visite nuestro sitio web WWW.LD-SYSTEMS.COM

Introducción

La versión MIX es un modelo que añade versatilidad al MAUI28: las avanzadas opciones de conexión y control hacen de este compacto sistema de PA la solución ideal para todo tipo de aplicaciones, ya sea para artistas solistas, DJs o presentaciones. Además, su elegante diseño es especialmente adecuado para instalaciones fijas en ambientes refinados.

Dispone de una entrada de micrófono combo XLR/jack, una entrada jack de alta impedancia para la conexión de instrumentos, como una guitarra, y un minijack para la conexión de reproductores MP3, estas dos últimas seleccionables mediante un conmutador deslizante. Para conectar una mesa de mezclas, un ordenador o cualquier otro equipo con nivel de línea, como un teclado, el sistema LD MAUI28MIX dispone de conectores RCA y combo. Obviamente los canales de entrada se pueden utilizar simultáneamente, y su nivel, el nivel del sistema y el nivel del subwoofer se pueden ajustar por medio de su propio potenciómetro.

Para garantizar un funcionamiento seguro, está provisto de un doble limitador integrado y un circuito de protección, y gracias al inteligente mecanismo Plug & Play con conectores especiales, puede montarse y desmontarse de manera rápida y fácil. La amplificación de 5 vías de clase AB, con control independiente de cada banda de frecuencias, consigue una reproducción perfectamente equilibrada con un sonido homogéneo y natural, y un amplio rango dinámico. Debido a su amplio ángulo de cobertura horizontal de 120° y su excelente rechazo a la realimentación acústica, no es necesario utilizar monitores adicionales.

LD MAUI28MIX

SISTEMA COMPACTO DE PA DE COLUMNA
CON MEZCLADOR INTEGRADO DE 3 CANALES



ENGLISH

DEUTSCH

FRANCAIS

ESPAÑOL

POLSKI

ITALIANO

MEDIDAS DE SEGURIDAD:

1. Lea atentamente las instrucciones de este manual.
2. Guarde toda la información en un lugar seguro para futuras consultas.
3. Siga las instrucciones indicadas.
4. Siga todas las advertencias. No quite las instrucciones de seguridad ni cualquier otra información indicada en el equipo.
5. Utilice el equipo únicamente según la finalidad prevista.
6. Utilice solo soportes y fijaciones que sean robustos y adecuados cuando instale el equipo en instalaciones fijas. Asegúrese de que los soportes de pared están correctamente instalados y firmemente fijados. Asegúrese de que el equipo está sólidamente instalado y no se puede caer.
7. Al instalar el equipo, respete las normas de seguridad aplicables en su país.
8. Evite instalar el equipo cerca de radiadores, acumuladores de calor, estufas o cualquier otra fuente de calor. Asegúrese de que el equipo esté instalado en un lugar con ventilación suficiente para evitar cualquier sobrecalentamiento.
9. No coloque sobre el equipo fuentes de llamas sin protección, por ejemplo, velas encendidas.
10. Evite bloquear las rejillas de ventilación.
11. No utilice este equipo cerca del agua (excepto los equipos específicamente diseñados para uso en exterior, en cuyo caso tenga en cuenta las indicaciones mencionadas a continuación). No exponga este equipo a materiales, líquidos o gases inflamables.
12. Evite exponer el equipo a gotas o salpicaduras que puedan caer dentro del mismo. No coloque recipientes llenos de líquido, como floreros o vasos, sobre el equipo.
13. Asegúrese de no dejar caer ningún objeto dentro del equipo.
14. Emplee el equipo únicamente con los accesorios recomendados por el fabricante.
15. No abra el equipo ni intente modificarlo.
16. Una vez conectado el equipo, compruebe que en toda la longitud del cableado no hay peligro de que provoque una caída, por ejemplo.
17. Durante el transporte, asegúrese de que el equipo no se caiga y pueda causar daños personales o materiales.
18. Si el equipo no funciona correctamente, o si se ha vertido líquido sobre él, o si un objeto ha caído en su interior o si ha sufrido algún desperfecto, apague inmediatamente el equipo y desenchufe el cable eléctrico (si se trata de un equipo activo). Únicamente un técnico especialista debe reparar el equipo.
19. Para limpiar el equipo utilice un paño seco.
20. Procure seguir las normas vigentes en su país sobre reciclaje de desechos. Separe los componentes de plástico, papel y cartón del paquete para reciclarlos en sus contenedores respectivos.
21. No deje las bolsas de plástico al alcance de los niños.

PARA LOS EQUIPOS CON TOMA ELÉCTRICA:

22. **ADVERTENCIA:** Si el cable eléctrico está provisto de un contacto de protección, debe conectarse a una toma eléctrica con conexión a tierra. No desactivar nunca esta conexión de protección a tierra del cable eléctrico.
23. Si el equipo ha estado expuesto a un cambio brusco de temperatura (por ejemplo, después del transporte), no lo encienda inmediatamente. La condensación o la humedad podrían dañar el equipo. Deje que el equipo alcance la temperatura ambiente antes de encenderlo.
24. Antes de conectar el cable eléctrico a la toma de corriente, compruebe si la tensión y la frecuencia del suministro eléctrico coinciden con las especificaciones de este equipo. Si el equipo dispone de un selector de tensión, antes de enchufarlo a la red eléctrica, asegúrese de que el valor seleccionado coincide con la tensión de suministro. Si el enchufe o el adaptador de corriente no encajan en la toma eléctrica, consulte a un electricista.
25. Asegúrese de que el cable eléctrico no está pinzado. Evite que el cable resulte pellizcado, sobre todo en los extremos de conexión al equipo y en la toma eléctrica.
26. Al conectar el equipo, asegúrese de que el cable eléctrico o el adaptador de corriente estén siempre accesibles. Desconecte el equipo de la toma de corriente cuando no esté en uso o antes de limpiarlo. Para ello,

SEGURIDAD:

desconecte el cable eléctrico y el adaptador de corriente del conector del equipo en vez de desenchufar el cable de la toma eléctrica. No tocar el cable eléctrico ni el adaptador de corriente con las manos húmedas.

27. No encienda y apague el equipo en cortos intervalos de tiempo, ya que se reduce así la vida útil del sistema.

28. **NOTA IMPORTANTE:** Sustituya los fusibles únicamente por otros del mismo tipo y de las mismas características. Si el fusible se funde continuamente, póngase en contacto con un servicio técnico autorizado.

29. Para desconectar completamente el equipo de la tensión eléctrica, desenchufe el cable eléctrico o el adaptador de corriente de la toma eléctrica.

30. Si el equipo dispone de un enchufe eléctrico Volex, deberá desbloquearse el Volex del equipo para desenchufarlo. Esto implica que un tirón en el cable eléctrico puede desplazar el equipo y provocar daños personales o materiales. Por tanto, asegúrese de instalar los cables con sumo cuidado.

31. Si es probable que caiga un rayo por una tormenta eléctrica o si no va a emplear el equipo durante mucho tiempo, desenchufe el cable eléctrico y el adaptador de corriente.



ADVERTENCIA:

Para evitar el riesgo de descarga eléctrica, no retire la tapa. El equipo no contiene piezas que el usuario pueda reparar o sustituir. Para cualquier tarea de mantenimiento o reparación, acuda a un técnico cualificado.



El símbolo de rayo dentro de un triángulo equilátero advierte al usuario de la presencia de tensiones peligrosas sin aislamiento dentro del equipo que pueden causar una descarga eléctrica y suponer un riesgo para la salud.



El símbolo de exclamación dentro de un triángulo equilátero advierte al usuario de la existencia de importantes instrucciones de uso y mantenimiento.

ADVERTENCIA: ¡ALTO VOLUMEN!

Este equipo se destina a un uso profesional. Por consiguiente, si se aplica a un uso comercial, estará sujeto a las normas y reglamentos de la Asociación para la prevención de accidentes de su sector profesional. Como fabricante, Adam Hall tiene la obligación de informar formalmente a los usuarios de la existencia de posibles riesgos para la salud.

Daños auditivos por exposición prolongada a un nivel SPL alto: este equipo puede generar fácilmente un nivel de presión sonora (SPL) lo suficientemente elevado como para causar daños auditivos permanentes a los artistas, el personal de producción y el público. Deben tomarse precauciones para evitar la exposición prolongada a un SPL de más de 90 dB.

¡ATENCIÓN! INFORMACIÓN IMPORTANTE SOBRE LOS PRODUCTOS DE ILUMINACIÓN

1. No mire el haz de luz desde una distancia inferior a 40 cm.
2. No mire el haz de luz de cerca durante periodos prolongados.
3. No mire directamente el haz de luz con instrumentos ópticos, como lentes de aumento.
4. ¡Los efectos estroboscópicos pueden a veces causar convulsiones en personas fotosensibles! Las personas con epilepsia deben evitar los lugares en los que se usan luces estroboscópicas.

ENGLISH

DEUTSCH

FRANCAIS

ESPAÑOL

POLSKI

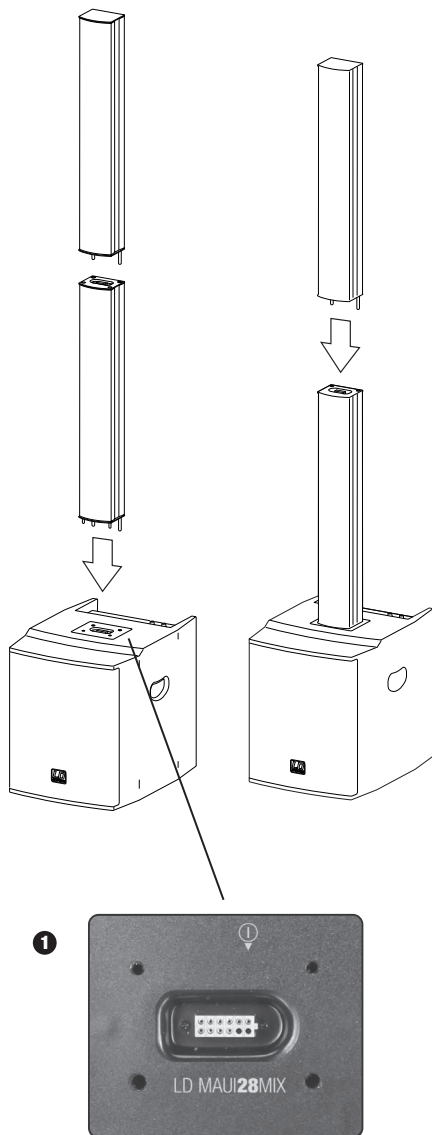
ITALIANO

MONTAJE:

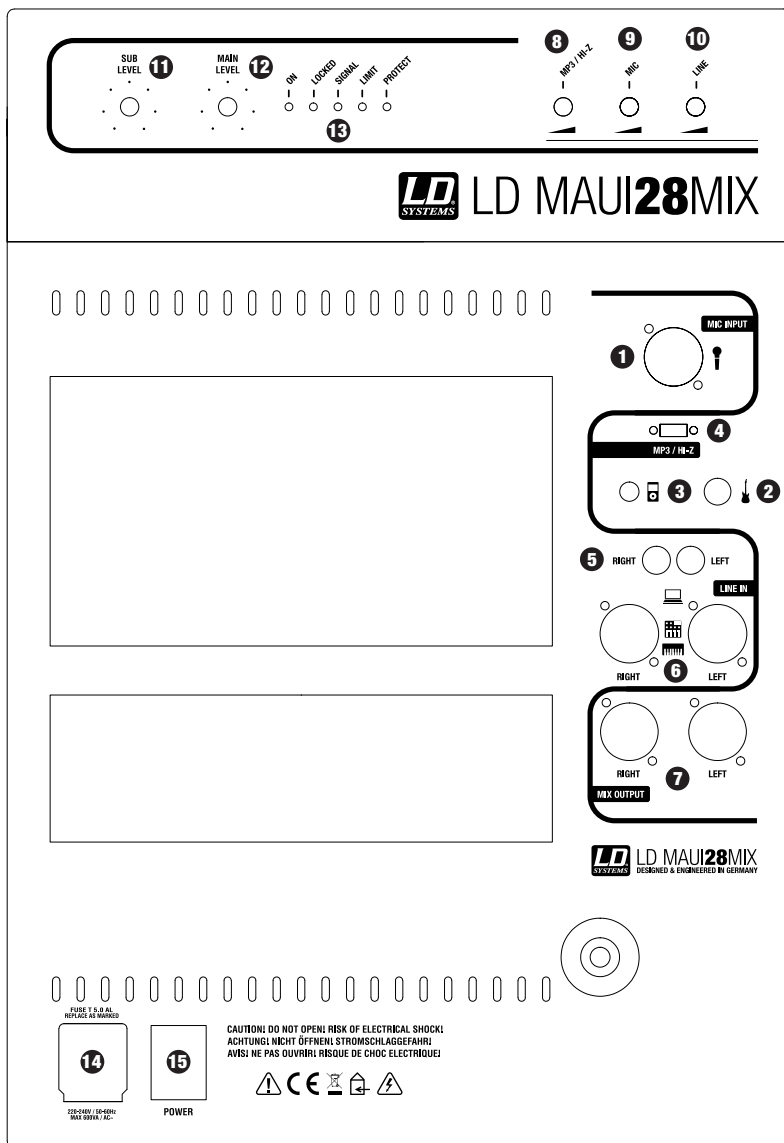
El sistema MAUI28MIX All-in-one array consta de tres componentes:

1. Subwoofer con la electrónica de las 3 unidades del sistema y el conector multipin (Figura 1) para la columna vertical del array.
2. Array vertical inferior de columna de 8 x 3" y dos conectores multipin, uno en la parte superior y otro en la inferior.
3. Array vertical superior de columna de 8 x 3", un motor de agudos y un conector multipin en la parte inferior.

Después de instalar el subwoofer en su posición, conecte el array vertical inferior al subwoofer. 4 tornillos de acero resistentes fijan perfectamente ambos equipos y aseguran el buen contacto del conector multipin. A continuación, conecte el array vertical superior al array inferior. Después de encender el sistema MAUI28MIX, la correcta conexión de todos los componentes se indica mediante el indicador LED "LOCKED".



CONEXIONES, CONTROLES E INDICADORES:



ENGLISH

DEUTSCH

FRANCAIS

ESPAÑOL

POLSKI

ITALIANO

CONEXIONES, CONTROLES E INDICADORES:

1 ENTRADA DE MICRÓFONO

Entrada de micrófono balanceada (combo XLR/jack de 6,3 mm). Es posible usar un cable de micro balanceado (jack mono). La entrada de micro integra un filtro de corte de bajos de 100 Hz para eliminar las señales de baja frecuencia no deseadas.

NOTA: La entrada de micrófono carece de alimentación fantasma.

2 ENTRADA HI-Z

Entrada para guitarra eléctrica o acústica. Para usar esta entrada, sitúe el conmutador 4 a la derecha (HI-Z). El canal conmuta a mono.

3 ENTRADA MP3

Entrada minijack de 3,5 mm para un reproductor MP3. Para usar esta entrada, sitúe el conmutador 4 a la izquierda (MP3). El canal conmuta a estéreo.

4 CONMUTADOR MP3 / HI-Z

La posición izquierda activa la entrada MP3, mientras que la derecha es para la entrada HI-Z.

5 ENTRADA DE LÍNEA NO BALANCEADA (LEFT / RIGHT)

Entrada de línea no balanceada (RCA) para la conexión de un equipo, como un portátil.

6 ENTRADA DE LÍNEA BALANCEADA (LEFT / RIGHT)

Entrada de línea balanceada (combo XLR/jack de 6,3 mm) para la conexión de equipos, como una mesa de mezclas o un teclado.

7 SALIDA DE MEZCLA BALANCEADA (LEFT / RIGHT)

Esta salida balanceada estéreo XLR es independiente del control MAIN LEVEL y se ajusta con la mezcla de las señales de entrada de micrófono, de línea y HI-Z/MP3.

8 MP3 / HI-Z

Control de nivel de la entrada MP3 / HI-Z.

9 MICRO

Control de nivel de la entrada de micrófono.

10 LÍNEA

Control de nivel de la entrada de línea.

11 SUB LEVEL

Permite ajustar el volumen del subwoofer respecto al de los altavoces de la columna.

12 MAIN LEVEL

Ajuste del volumen general. El volumen del subwoofer se ajusta con el control SUB LEVEL.

CONEXIONES, CONTROLES E INDICADORES:

ENGLISH

DEUTSCH

FRANCAIS

ESPAÑOL

POLSKI

ITALIANO

13 LEDs

ON: Se ilumina cuando el sistema está encendido y enchufado correctamente a la red eléctrica.

LOCKED: Después de encender el sistema, la correcta conexión de todos los componentes se indica mediante este indicador LED.

SIGNAL: Se ilumina cuando se tiene una señal de audio.

LIMIT: Se ilumina cuando el sistema se lleva al límite. No es crítico si el LED parpadea brevemente, ya que el limitador interno regulará la saturación. En cambio, si el LED permanece encendido, reduzca el nivel.

PROTECT: Se ilumina cuando se activa alguno de los circuitos de protección del módulo amplificador. Para proteger el amplificador de potencia y los altavoces, en modo Protección se desconectan los altavoces. Cuando desaparece la causa del problema (por ejemplo, una sobrecarga), el amplificador volverá enseguida a funcionar normalmente, el LED Protect se apagará, y el sistema estará listo para funcionar.

14 TOMA ELÉCTRICA

Toma IEC con portafusibles integrado.

NOTA IMPORTANTE: Sustituya el fusible únicamente por otro del mismo tipo y características. Si el fusible se fundiera continuamente, póngase en contacto con un servicio técnico autorizado.

15 POWER

Interruptor luminoso de encendido/apagado. Antes de encender o apagar, ponga el volumen general a cero (MAIN LEVEL completamente girado a la izquierda).

DISTRIBUCIÓN DE FRECUENCIAS:

AGUDOS

8.000 Hz a 20.000 Hz
Crossover pasivo

MEDIOS ALTOS/AGUDOS

500 Hz a 20.000 Hz
Potencia 50 W RMS

MEDIOS

170 Hz a 1.300 Hz
Potencia 50 W RMS

MEDIOS

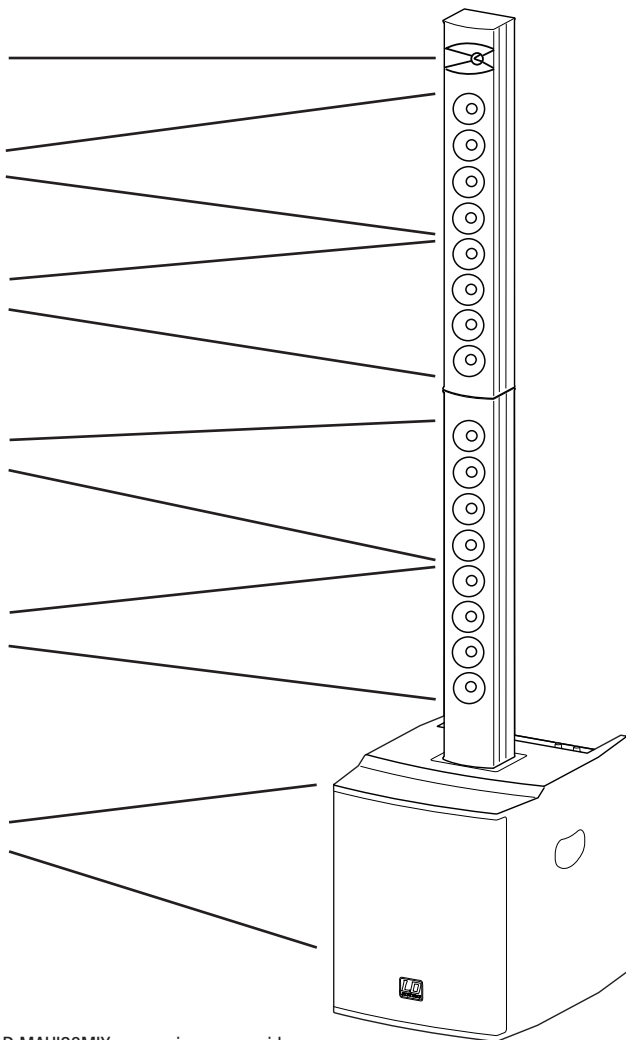
170 Hz a 900 Hz
Potencia 50 W RMS

MEDIOS BAJOS

170 Hz a 600 Hz
Potencia 50 W RMS

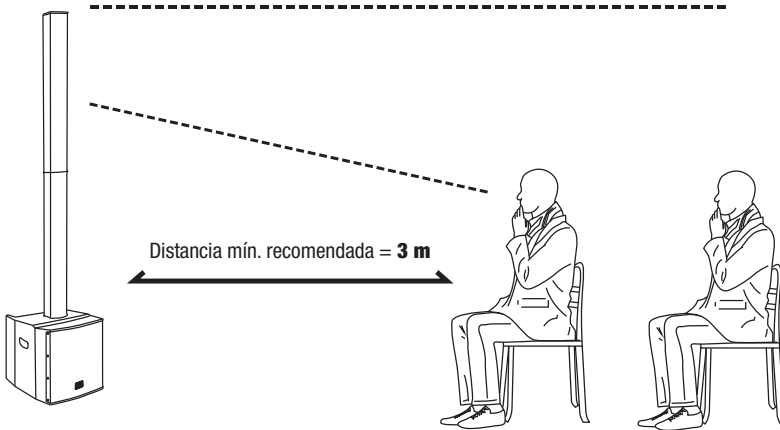
SUBWOOFER

45 Hz a 170 Hz
Potencia 200 W RMS



El crossover de 5 vías del LD MAUI28MIX proporciona un sonido dinámico, claro y equilibrado en toda la banda de audio. Mediante los arrays se consigue una distribución sonora más uniforme en toda la sala.

COLOCACIÓN



Para que se escuche un sonido óptimo, se recomienda mantener una distancia mínima de 3 metros entre el MAUI28MIX y la primera fila (con el público sentado).

ENGLISH

DEUTSCH

FRANCAIS

ESPAÑOL

POLSKI

ITALIANO

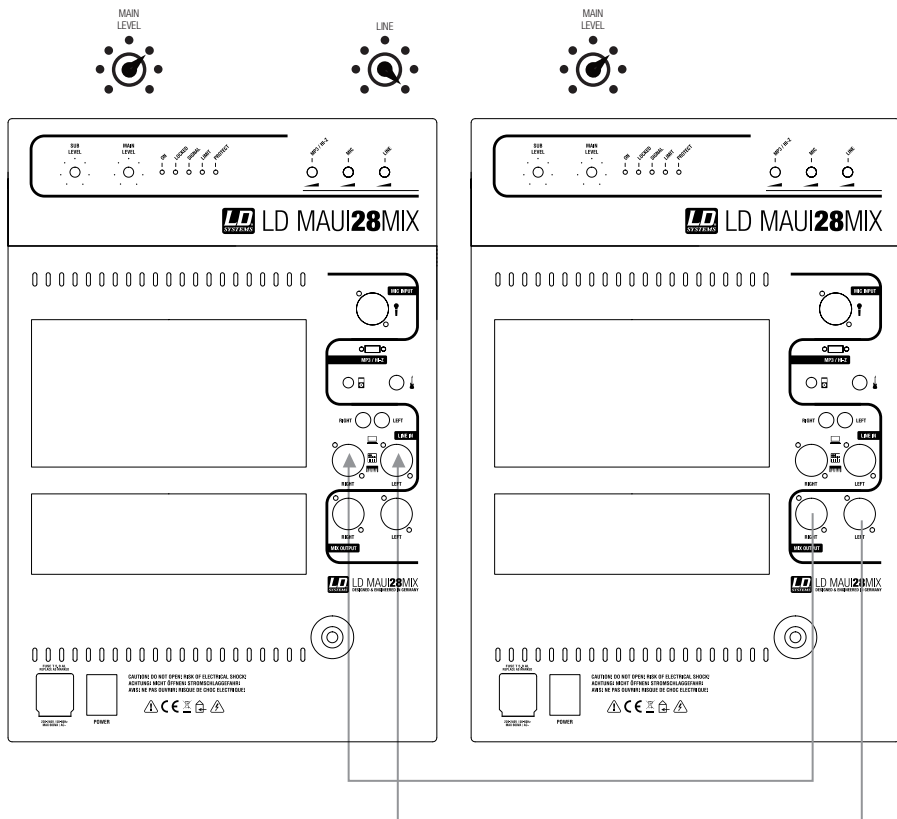
MONTAJE DE EJEMPLO:

Ajuste de varios MAUI28MIX conectados en cadena:

1. Mediante un cable XLR, conecte MIX OUTPUT (LEFT / RIGHT) del equipo principal a LINE INPUT (LEFT / RIGHT) del segundo equipo. Conecte de igual forma un tercer equipo, y así sucesivamente.
2. Sitúe el control LINE del segundo equipo al máximo (girado completamente a la derecha).
3. Para obtener ahora el mismo volumen en todas las unidades, sitúe el control MAIN LEVEL del equipo principal y el control MAIN LEVEL del segundo equipo en la misma posición.

Equipo principal

Segundo equipo



RESOLUCIÓN DE PROBLEMAS:

ENGLISH

DEUTSCH

FRANCAIS

ESPAÑOL

POLSKI

ITALIANO

PROBLEMA	INDICACIONES	SOLUCIÓN
El equipo está encendido pero no funciona.	El interruptor de encendido y el LED ON no están iluminados.	<p>Compruebe la conexión a la red eléctrica.</p> <p>¡Desenchufe el equipo! Compruebe el fusible del equipo y sustitúyalo si es necesario. Si el fusible se funde de forma continua, desenchufe el equipo de la red eléctrica y llévelo a un servicio técnico autorizado.</p>
	El interruptor de encendido, el LED ON y el LED PROTECT están iluminados.	Se ha producido una sobrecarga en el equipo. Reduzca el volumen. El LED PROTECT se apaga al cabo de unos segundos y el equipo estará listo para funcionar.
	El LED PROTECT se queda iluminado incluso después de reducir el volumen.	Fallo interno. Apague el equipo, desenchúfelo de la red y llévelo a un servicio técnico autorizado.
Al utilizar la entrada HI-Z, la guitarra no se oye, aunque los controles HI-Z y MAIN LEVEL están girados al máximo.	El conmutador 4 está situado a la izquierda (MP3).	Reduzca el volumen del canal de guitarra y sitúe el conmutador a la derecha (HI-Z).
Al utilizar la entrada MP3, el reproductor MP3 no se oye, aunque los controles MP3 y MAIN LEVEL están girados al máximo.	El conmutador 4 está situado a la derecha (HI-Z).	Reduzca el volumen del canal de MP3 y sitúe el conmutador a la izquierda (MP3).
La señal de micrófono está distorsionada.		Reduzca el volumen del canal de micrófono y aumente el volumen general (MAIN LEVEL). En caso de tener otros equipos conectados (por ejemplo, un teclado), reduzca también el volumen de estos equipos.
La señal de guitarra/MP3 está distorsionada.		Reduzca el volumen del canal de guitarra/MP3 y aumente el volumen general (MAIN LEVEL). En caso de tener otros equipos conectados (por ejemplo, un teclado o micrófono), reduzca también el volumen de estos equipos.
		Reduzca el volumen de la fuente de señal (por ejemplo, una guitarra o un reproductor MP3) y aumente el volumen del canal y el volumen general.

RESOLUCIÓN DE PROBLEMAS:

PROBLEMA	INDICACIONES	SOLUCIÓN
La señal de la entrada de línea está distorsionada.		Reduzca el volumen del canal de línea y aumente el volumen general (MAIN LEVEL). En caso de tener otros equipos conectados (por ejemplo, un teclado o micrófono), reduzca también el volumen de estos equipos.
		Reduzca el volumen de la fuente de señal (por ejemplo, mesa de mezclas) y aumente el volumen del canal y el volumen general.
La señal general está distorsionada.	El LED LIMIT permanece iluminado.	Reduzca el volumen general (MAIN LEVEL).

ENGLISH

DEUTSCH

FRANCAIS

ESPAÑOL

POLSKI

ITALIANO

ACCESORIOS OPCIONALES:



LDM28CB

Plataforma para los sistemas MAUI28 y MAUI28MIX



LDM28SATBAG

Funda de transporte para los altavoces de columna MAUI28 y MAUI28MIX



LDM28SUBPC

Funda de transporte para los subwoofers MAUI28 y MAUI28MIX

ENGLISH

DEUTSCH

FRANCAIS

ESPAÑOL

POLSKI

ITALIANO

ESPECIFICACIONES:

Nombre del modelo:	LDMAUI28MIX
Tipo de producto:	Sistema completo de PA
Tipo:	Activo
Color:	negro
SPL máx. (continuo):	115 dB
SPL máx. (pico):	123 dB
Respuesta en frecuencia:	45 Hz a 20.000 Hz
Ángulo de dispersión (HxV):	120° (horizontal)
Peso:	35 kg
Subwoofer	
Tamaño del woofer:	2 x 8"
Tamaño del woofer:	2 x 203 mm
Imán del woofer:	Ferrita
Marca del woofer:	Custom Made
Diseño:	Configuración en V, bass reflex
Material de la carcasa:	contrachapado de 15 mm
Acabado de la carcasa:	Laca protectora Dura Coat LX
Dimensiones del subwoofer (An x Al x F):	390 x 450 x 510 mm
Características del subwoofer:	Asas ergonómicas embutidas, conector multipin especial para el array vertical
Sistema de medios/altos	
Tamaño del altavoz de medios:	16 x 3"
Tamaño del altavoz de medios:	16 x 76 mm
Imán del altavoz de medios:	Neodimio
Marca del altavoz de medios:	Custom Made
Tamaño del altavoz de agudos:	1"
Tamaño del altavoz de agudos:	25 mm
Imán del altavoz de agudos:	Ferrita
Marca del altavoz de agudos:	Custom Made
Entradas de altavoz:	1
Conector de entrada de altavoz:	Conector multipin especial

ESPECIFICACIONES:

ENGLISH

DEUTSCH

FRANCAIS

ESPAÑOL

POLSKI

ITALIANO

Construcción del sistema de medios/altos:	Cerrado
Material de la carcasa del sistema de medios/altos:	Aluminio
Acabado de la carcasa del sistema de medios/altos:	Lacada
Dimensiones del sistema de medios/altos (An x Al x F):	110 x 790 x 90 mm
Características del sistema de medios/altos:	Array vertical con amplificación de 4 vías y excelente dispersión sonora
Módulo de amplificación	
Amplificador:	5 vías, clase AB
Potencia del sistema (RMS):	400 W
Potencia del subwoofer (RMS):	200 W
Potencia del sistema de medios/altos (RMS):	4 x 50 W
Circuitos de protección:	Doble limitador
Sistema de refrigeración:	Disipador de aluminio
Controles:	Main Level, Sub Level, Mic Level, Line Level, MP3/ Hi-Z Level, conmutador de entrada (Hi-Z / MP3), botón de encendido
Indicadores:	LEDs: On, Locked, Signal, Limit, Protect
Alimentación eléctrica:	Transformador
Alimentación eléctrica:	220/240 VAC, 50/60 Hz
Consumo (máx.):	600 VA
Entradas de línea:	2
Conectores de entrada de línea:	Combo XLR/jack de 6,3 mm, RCA
Entradas de micrófono:	1
Conexión de entrada de micro:	Combo XLR/jack de 6,3 mm
Entradas HI-Z:	1 (compartida con la entrada MP3)
Conexión de entrada HI-Z:	Jack de 6,3 mm
Entradas del reproductor MP3:	1 (compartida con la entrada HI-Z)
Conexión de entrada MP3:	Minijack estéreo de 3,5 mm
Salidas de altavoz:	1
Conectores de salida de altavoz:	conector multipin especial
Otras características:	Filtro paso altos de 100 Hz en el canal de micrófono



DECLARACIÓN DEL FABRICANTE:

GARANTÍA DEL FABRICANTE

La presente garantía cubre las marcas Adam Hall, LD Systems, Defender, Palmer y Cameo.

Se aplica a todos los productos distribuidos por Adam Hall.

No afecta a los derechos de garantía legal que asume el fabricante. De hecho, le concede al usuario derechos adicionales ante Adam Hall, independientes de la garantía legal.

Adam Hall garantiza que el producto que ha adquirido de Adam Hall o de un distribuidor autorizado de Adam Hall estará exento de defectos de material y fabricación, en condiciones normales de uso, durante un período de 2 o 5 años (consúltese el producto concreto) a partir de la fecha de compra.

La garantía limitada entra en vigor el día de la fecha de compra. Para tener derecho a esta garantía será necesario presentar un justificante de compra válido en el que figure la fecha de compra del producto, por ejemplo, la factura o el albarán de entrega. Si el producto que ha adquirido necesitara una reparación durante la vigencia de la garantía limitada, tendrá derecho a obtener los servicios de garantía conforme a los términos y condiciones establecidos en este documento.

Durante el periodo de garantía limitada, Adam Hall se compromete a reparar o sustituir las piezas defectuosas del producto. En caso de reparación o sustitución dentro del período de garantía, las piezas originales y productos retirados pasarán a ser propiedad de Adam Hall.

En el caso poco probable de que se produzca un fallo recurrente en el producto adquirido, Adam Hall, a su entera discreción, podrá optar por sustituir dicho producto defectuoso por otro de similares características.

Adam Hall no garantiza el funcionamiento ininterrumpido y sin fallos de este producto. Además, Adam Hall no se hace responsable de los posibles daños ocasionados por no seguir las instrucciones de uso suministradas con el producto Adam Hall. Esta garantía no se aplica - a los consumibles (baterías, etc.) - a los productos cuyo número de serie ha sido borrado, o que han quedado dañados y defectuosos debido a un accidente - en caso de defectos ocasionados por una incorrecta utilización o manipulación, o cualquier otra causa ajena

- en caso de utilización del producto no conforme con los parámetros establecidos en la documentación facilitada con el producto

- en caso de utilización de piezas de repuesto no fabricadas, no recomendadas ni vendidas por Adam Hall

- si el producto ha sido modificado o reparado por personal no autorizado por Adam Hall.

Estos términos y condiciones constituyen el acuerdo de garantía íntegro y exclusivo entre usted y Adam Hall en relación con el producto Adam Hall que acaba de adquirir.

ENGLISH

DEUTSCH

FRANÇAIS

ESPAÑOL

POLSKI

ITALIANO

DECLARACIÓN DEL FABRICANTE:

ENGLISH

DEUTSCH

FRANCAIS

ESPAÑOL

POLSKI

ITALIANO

LIMITACIÓN DE RESPONSABILIDAD

Si durante el período de garantía aparecen defectos de material o de fabricación en su producto Adam Hall (de acuerdo con las garantías mencionadas en este documento), tendrá derecho exclusivamente a la reparación o sustitución del mismo. La responsabilidad máxima de Adam Hall en virtud de los términos de esta garantía está limitada al menor importe que resulte del precio de compra del producto, del coste de la reparación o la sustitución de las piezas que han dejado de funcionar en condiciones normales de uso.

Adam Hall no será responsable de ningún daño causado por el producto o por el mal funcionamiento del producto, incluidas la pérdida de beneficios, la pérdida de ahorros o cualquier consecuencia derivada de dichas pérdidas. Además, Adam Hall no se hará responsable de ninguna reclamación presentada por un tercero o por el comprador original en nombre de un tercero.

Esta limitación de responsabilidad se aplicará con independencia de que se solicite una indemnización por daños y perjuicios, o se presenten reclamaciones por negligencia, contractuales o de cualquier otra índole, y no podrá ser derogada o modificada. Esta limitación de responsabilidad será efectiva incluso en el caso de que el comprador hubiese avisado previamente a Adam Hall o a alguno de sus representantes de la posibilidad de reclamar daños y perjuicios. No obstante, esta limitación de responsabilidad no tendrá efecto en caso de reclamación por daños personales.

Esta garantía limitada le otorga derechos legales específicos. Puede que posea derechos adicionales conforme a la legislación del país o Estado en el que se encuentre. Le recomendamos que consulte la legislación vigente en su país o Estado para conocer el alcance de sus derechos.

APLICACIÓN DE LA GARANTÍA

Para solicitar asistencia técnica en relación con el producto en garantía, póngase en contacto con Adam Hall o con el distribuidor autorizado donde adquirió el producto.

DECLARACIÓN CE DE CONFORMIDAD

Los productos distribuidos por Adam Hall cumplen (según proceda) los requisitos esenciales de las Directivas europeas 1999/5/CE (Equipos radioeléctricos y equipos terminales de telecomunicación, R&TTE), 2004/108/CE (Compatibilidad Electromagnética) y 2006/95/CE (Baja Tensión), así como las correspondientes cláusulas adicionales. Para más información consulte www.adamhall.com.

DECLARACIÓN DEL FABRICANTE:

ELIMINACIÓN CORRECTA DE ESTE PRODUCTO

(Aplicable en la Unión Europea y en los países europeos que dispongan de un sistema de recogida selectiva)



El símbolo que aparece sobre el producto o en la documentación adjunta indica que al final de la vida útil del equipo, no deberá desecharlo con los demás residuos domésticos, con el fin de evitar posibles efectos negativos en el medio ambiente y en la salud humana debidos al vertido incontrolado de desechos. La recogida selectiva ayuda a su posterior reciclaje y fomenta la reutilización sostenible de los componentes de este equipo.

Si es un particular, póngase en contacto con el distribuidor donde adquirió este producto, o con el ayuntamiento, para informarse sobre el reciclaje adecuado de este equipo.

Si es una empresa, póngase en contacto con su proveedor para informarse sobre los términos y condiciones de su contrato de compra-venta. Este producto no debe mezclarse con otros residuos industriales.

PROTECCIÓN MEDIOAMBIENTAL Y AHORRO ENERGÉTICO

Ahorre energía eléctrica para proteger el medio ambiente. Para ello, apague todos los aparatos eléctricos cuando no estén en uso. Además, para evitar el consumo de energía en modo En espera, desenchufe todo aparato eléctrico de la toma de corriente cuando no esté en uso.

Adam Hall GmbH. Todos los derechos reservados. Los datos técnicos y las características funcionales del producto están sujetos a modificaciones. Se prohíbe la fotocopia, traducción y cualquier otra forma de reproducción parcial o total de este manual de usuario.

ENGLISH

DEUTSCH

FRANCAIS

ESPAÑOL

POLSKI

ITALIANO

Gratulujemy wyboru!

To urządzenie zostało zaprojektowane i wyprodukowane przy zastosowaniu najwyższych kryteriów jakościowych w celu zapewnienia wieloletniej bezawaryjnej eksploatacji. Firma LD Systems gwarantuje to swoją marką i wieloletnim doświadczeniem w wytwarzaniu wysokiej jakości produktów audio.

Proszę starannie przeczytać niniejszą instrukcję obsługi, aby móc jak najszybciej zacząć użytkować ten produkt marki LD Systems.

Dalsze informacje na temat firmy LD SYSTEMS dostępne są na naszej stronie internetowej WWW.LD-SYSTEMS.COM

Wprowadzenie

Wersja z mikserem to wyjątkowo wszechstronny wariant urządzenia MAUI28: zaawansowane możliwości przyłączania i sterowania sprawiają, iż ten kompaktowy system PA jest idealnym, kompleksowym rozwiązaniem dla solistów, DJ-ów oraz do prezentacji. Elegancki wygląd umożliwia także zastosowanie w instalacjach stałych o wysokim standardzie estetycznym.

Gniazdo combo jack XLR służy jako wejście mikrofonowe, wejście jack o wysokiej impedancji służy do podłączania takich instrumentów, jak gitara, a wejście mini jack służy do podłączania odtwarzacza MP3 i można je aktywować za pomocą przełącznika suwakowego. Do podłączania pulpitów mikserskich, komputerów i innych źródeł sygnału liniowego, np. keyboardów, służą gniazda RCA lub combo, w które wyposażony jest system LD MAUI28MIX. Kanały wejściowe mogą oczywiście być zajęte równocześnie, możliwe jest także sterowanie ich głośnością, głośnością systemową i poziomem subwoofera za pomocą oddzielnych regulatorów.

Niezawodne działanie zapewnią zintegrowany podwójny limiter i wyłącznik ochronny, a inteligentny system Plug & Play wyposażony w specjalne złącza wtykowe umożliwia niezwykle szybki i prosty montaż i demontaż urządzenia. Wzmacniacz 5-drożny klasy AB z oddzielnym sterowaniem poszczególnych pasm częstotliwości oferuje idealnie zbalansowane odtwarzanie dźwięku o jednorodnym, naturalnym brzmieniu i wysokiej dynamice. Dzięki szerokiemu, poziomemu kątowni wiązki światła wynoszącemu 120° oraz wyjątkowej odporności na sprzężenie zwrotne oddzielne monitory są zbędne.

LD MAUI28MIX

KOMPAKTOWY, AKTYWNY SYSTEM KOLUMN PA ZE ZINTEGROWANYM,
3-KANAŁOWYM MODUŁEM MIKSUJĄCYM



ŚRODKI OSTROŻNOŚCI:

1. Należy dokładnie przeczytać niniejszą instrukcję.
2. Wszystkie informacje i instrukcje przechowywać w bezpiecznym miejscu.
3. Należy przestrzegać zaleceń.
4. Należy przestrzegać wszystkich wskazówek ostrzegawczych. Nie wolno usuwać wskazówek bezpieczeństwa ani innych informacji znajdujących się na urządzeniu.
5. Używać urządzenia wyłącznie w sposób zgodny z jego przeznaczeniem.
6. Stosować wyłącznie stabilne i pasujące statywy, ew. elementy mocujące (w przypadku instalacji stałych).
7. Należy zadbać o prawidłową instalację uchwytów ściennych i ich odpowiednie zabezpieczenie. Zapewnić bezpieczną instalację urządzenia i upewnić się, że urządzenie nie spadnie.
8. Podczas instalacji przestrzegać obowiązujących w danym kraju przepisów bezpieczeństwa.
9. Urządzenie instalować i eksploatować z dala od grzejników, zasobników ciepła, pieców i innych źródeł ciepła. Zadbać o zainstalowanie urządzenia w taki sposób, aby zawsze było ono wystarczająco chłodzone i nie mogło ulec przegrzaniu.
10. Nie umieszczać na urządzeniu źródeł zapłonu, takich jak np. palące się świece.
11. Nie wolno blokować szczelin wentylacyjnych.
12. Nie używać urządzenia w bezpośrednim sąsiedztwie wody (nie dotyczy specjalnych urządzeń do stosowania na zewnątrz – w takim przypadku należy przestrzegać podanych poniżej wskazówek specjalnych). Urządzenie nie może mieć kontaktu z palnymi materiałami, płynami ani gazami.
13. Zabezpieczyć urządzenie przed wniknięciem kapiącej lub pryskającej wody. Nie wolno stawiać na urządzeniu pojemników napełnionych płynami, takich jak wazon czy naczynia z piciem.
14. Należy zadbać o to, aby do urządzenia nie wpadały żadne przedmioty.
15. Urządzenie można eksploatować tylko przy użyciu akcesoriów zalecanych i przewidzianych przez producenta.
16. Nie otwierać urządzenia ani nie dokonywać w nim zmian.
17. Po podłączeniu urządzenia sprawdzić wszystkie ciągi kablowe, aby zapobiec szkodom lub wypadkom np. w wyniku potknięcia.
18. Podczas transportu zadbać o to, aby urządzenie nie upadło, gdyż może to spowodować uszkodzenie mienia i obrażenia ciała.
19. Jeśli urządzenie nie działa prawidłowo, do jego wnętrza dostały się płyny lub przedmioty lub jeśli urządzenie zostało uszkodzone w inny sposób, należy je natychmiast wyłączyć i odłączyć od gniazda sieciowego (jeśli urządzenie jest aktywne). Naprawę takiego urządzenia może wykonać tylko autoryzowany personel specjalistyczny.
20. Do czyszczenia urządzenia stosować suchą ściereczkę.
21. Przestrzegać obowiązujących w danym kraju przepisów dotyczących usuwania odpadów. Podczas utylizacji opakowania oddzielić tworzywo sztuczne od papieru i tektury.
22. Worki z tworzywa sztucznego należy przechowywać w miejscu niedostępnym dla dzieci.

DOTYCZY URZĄDZEŃ Z ZASILANIEM SIECIOWYM:

22. UWAGA: jeśli kabel sieciowy urządzenia jest wyposażony w zestyk ochronny, należy go podłączyć do gniazda z przewodem uziemiającym. Nigdy nie wolno dezaktywować przewodu uziemiającego kabla sieciowego.
23. Nie włączaj urządzenia bezpośrednio po narażeniu go na silne wahania temperatury (np. po transporcie). Wilgoć i skropliny mogą uszkodzić urządzenie. Włączaj urządzenie dopiero wtedy, gdy osiągnie temperaturę pokojową.
24. Przed podłączeniem urządzenia do gniazda elektrycznego należy sprawdzić, czy napięcie i częstotliwość sieci elektrycznej odpowiada wartościom podanym na urządzeniu. Jeśli urządzenie jest wyposażone w przełącznik napięcia, należy podłączyć je do gniazda tylko wówczas, gdy wartości urządzenia odpowiadają wartościom sieci elektrycznej. Jeśli dołączony kabel sieciowy lub dołączony adapter sieciowy nie pasuje do gniazda elektrycznego, należy skontaktować się z elektrykiem.
25. Nie stawaj na kablu sieciowym. Należy zadbać o to, aby kable przewodzące napięcie nie były zagięte przy gnieździe sieciowym, przy adapterze sieciowym ani przy gnieździe urządzenia.

BEZPIECZEŃSTWO:

ENGLISH

DEUTSCH

FRANCAIS

ESPAÑOL

POLSKI

ITALIANO

26. Przy podłączaniu urządzenia zawsze należy zadbać o to, aby kabel sieciowy lub adapter sieciowy był zawsze łatwo dostępny. Odłączyć urządzenie od źródła zasilania, gdy nie jest ono używane lub gdy ma zostać poddane czyszczeniu. Zawsze należy wyjmować kabel sieciowy i adapter sieciowy z gniazda, chwytając za wtyczkę lub adapter, a nie za kabel. Nigdy nie dotykać kabla sieciowego i adaptera sieciowego mokrymi dłońmi.

9. W miarę możliwości nie włączać i wyłączać urządzenia w krótkich odstępach czasu, gdyż może to mieć negatywny wpływ na jego żywotność.

28. **WAŻNA INFORMACJA:** bezpieczniki należy wymieniać wyłącznie na bezpieczniki tego samego typu i o takich samych wartościach. Jeśli bezpiecznik stale się przepala, należy skontaktować się z autoryzowanym centrum serwisowym.

29. Aby całkowicie odłączyć urządzenie od sieci, należy wyjąć kabel sieciowy lub adapter sieciowy z gniazda.

30. Jeśli urządzenie jest wyposażone w przyłącze sieciowe Volex, konieczne jest odblokowanie odpowiedniej wtyczki urządzenia Volex, zanim będzie możliwe jej odłączenie. Oznacza to także, iż w wyniku pociągnięcia za kabel urządzenie może się przesunąć i spaść, co może spowodować obrażenia ciała i/lub inne szkody, dlatego ważne jest, aby przewody były odpowiednio poprowadzone.

31. W przypadku zagrożenia uderzeniem pioruna lub jeśli urządzenie przez dłuższy czas nie jest używane, należy wyjąć kabel sieciowy i adapter sieciowy z gniazda.



UWAGA:

Nigdy nie wolno zdejmować pokrywy, gdyż grozi to porażeniem prądem. We wnętrzu urządzenia nie ma żadnych części, które mogłyby zostać naprawione bądź poddane czynnościom konserwacyjnym przez użytkownika. Naprawy może przeprowadzać wyłącznie wykwalifikowany personel serwisowy.



Trójkąt równoramienny z symbolem błyskawicy oznacza niezaizolowane, „niebezpieczne” napięcie w urządzeniu, które może spowodować niebezpieczne dla zdrowia porażenie prądem.



Trójkąt równoramienny z wykrzyknikiem oznacza ważne wskazówki dotyczące obsługi i wskazówki ostrzegawcze.

UWAGA NA WYSOKI POZIOM GŁOŚNOŚCI PRODUKTÓW AUDIO!

To urządzenie przewidziane jest do profesjonalnych zastosowań. Komercyjne stosowanie tego urządzenia podlega obowiązującym w danym kraju przepisom i wytycznym dotyczącym zapobiegania wypadkom. Firma Adam Hall jest jako producent zobowiązana do wyraźnego informowania o potencjalnym zagrożeniu dla zdrowia. Utrata słuchu w wyniku wysokiego poziomu głośności i długotrwałego narażenia: podczas stosowania tego produktu może powstać wysoki poziom ciśnienia akustycznego (SPL), który może doprowadzić do nieodwracalnego uszkodzenia słuchu u artystów, pracowników i widzów. Należy unikać długotrwałego narażenia na wysoki poziom głośności powyżej 90 dB.

OSTROŻNIE! WAŻNE WSKAZÓWKI DOTYCZĄCE PRODUKTÓW OŚWIETLENIOWYCH

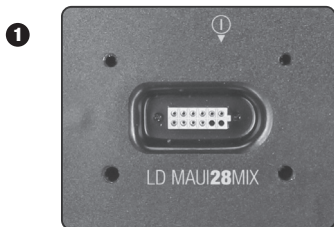
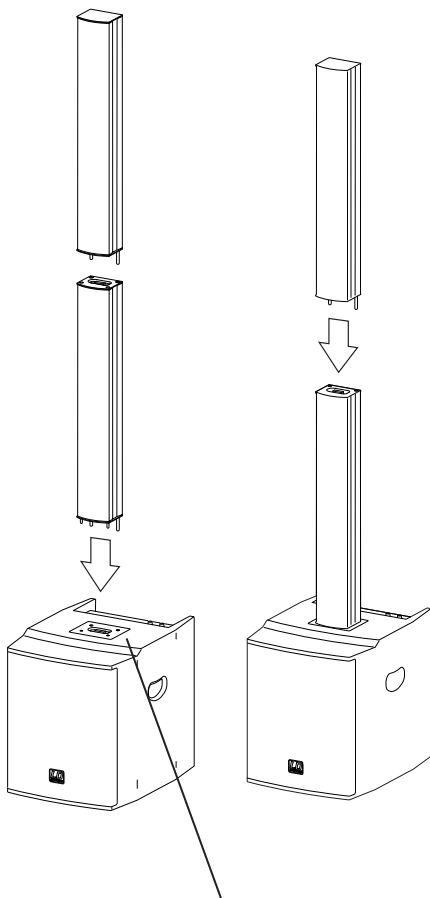
1. Nie spoglądać w stronę promienia świetlnego z odległości mniejszej niż 40 cm.
2. Nigdy nie spoglądać przez dłuższy czas z krótkiej lub średniej odległości w stronę promienia świetlnego.
3. Nigdy nie spoglądać w stronę promienia świetlnego przy pomocy urządzeń optycznych, takich jak np. szkło powiększające.
4. Światło stroboskopowe może u wrażliwych osób powodować drgawki. Chorzy na padaczkę powinny bezwzględnie unikać miejsc, w których używa się tego typu lamp.

BUDOWA:

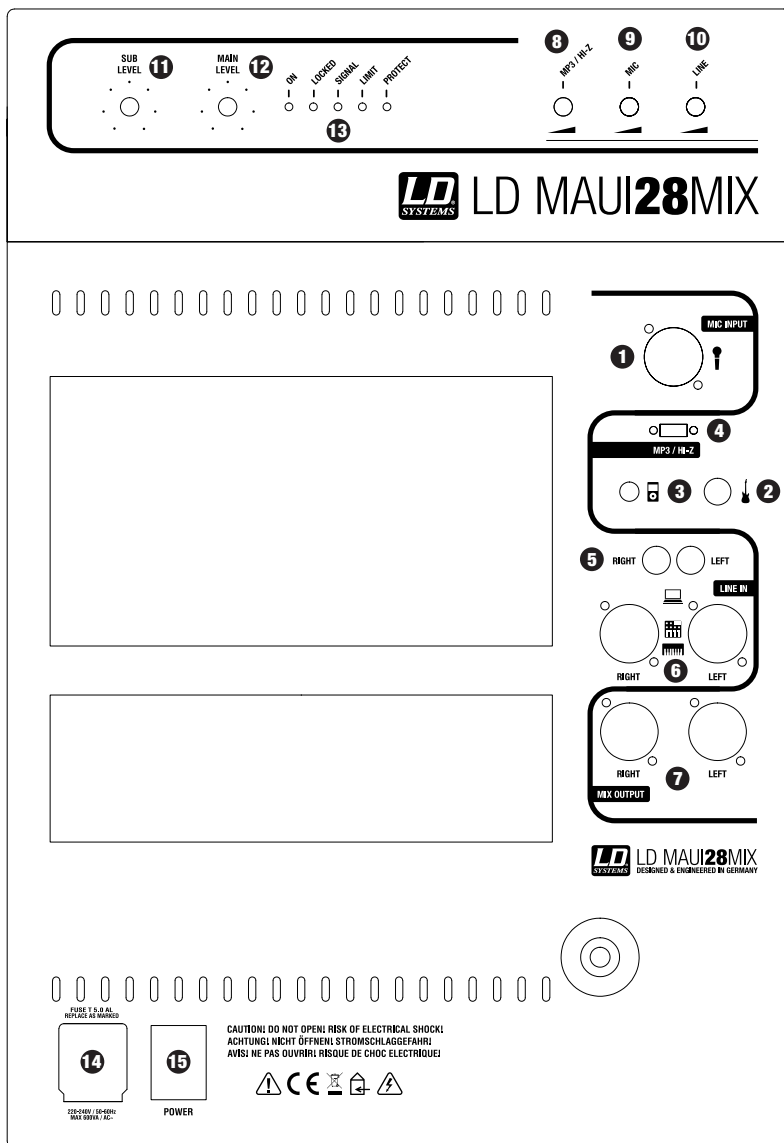
Uniwersalny system Array MAUI28MIX LD Systems składa się z 3 części:

1. Subwoofer ze zintegrowanym układem elektronicznym dla wszystkich 3 części systemu i przyłączem wielostykowym (patrz ilustracja 1) dla kolumny pionowej.
2. Dolna kolumna pionowa z zestawem 8 głośników 3" i 2 złączami wielostykowymi, po jednym na dole i u góry.
3. Górna kolumna pionowa z zestawem 8 głośników 3", głośnikiem wysokotonowym i złączem wielostykowym na spodzie.

Po umieszczeniu subwoofera w nagłaśnianym pomieszczeniu należy nasadzić na niego dolną kolumnę pionową. 4 stabilne stalowe kołki pomagają w precyzyjnym umieszczeniu wtyków wielostykowych obu kolumn. Następnie należy nasadzić górną kolumnę pionową na dolną według tej samej zasady. Prawidłowe połączenie wszystkich części systemu jest sygnalizowane po włączeniu systemu MAUI28MIX przez specjalny elektroniczny układ sterowania za pomocą diody LED („Locked”).



PRZYŁĄCZA, ELEMENTY OBSŁUGI I WYŚWIETLACZA:



ENGLISH

DEUTSCH

FRANCAIS

ESPAÑOL

POLSKI

ITALIANO

PRZYŁĄCZA, ELEMENTY OBSŁUGI I WYŚWIETLACZA:

1 MIC INPUT

Symetryczne wejście mikrofonowe (XLR/Combo jack 6,3 mm). Możliwe jest także użycie niesymetrycznego kabla mikrofonowego (jack mono). Wejście mikrofonowe jest wyposażone w filtr stuków krokowych 100 Hz, służący do tłumienia niepożądanych elementów sygnału o niskiej częstotliwości.
WSKAZÓWKĄ: wejście mikrofonowe nie jest wyposażone w zasilanie fantomowe.

2 HI-Z INPUT

Wejście dla gitary akustycznej lub elektrycznej. Podczas używania tego wejścia przełącznik 4 musi być ustawiony w pozycji na prawo (HI-Z). Kanał jest włączony w trybie mono.

3 MP3 INPUT

Wejście jack 3,5 mm dla odtwarzacza MP3. Podczas używania tego wejścia przełącznik 4 musi być ustawiony w pozycji na lewo (MP3). Kanał jest włączony w trybie stereo.

4 PRZEŁĄCZNIK MP3/HI-Z

Ustawienie przełącznika w pozycji na lewo oznacza aktywne wejście MP3, a w pozycji na prawo aktywne wejście HI-Z.

5 LINE INPUT (LEFT/RIGHT) – NIESYMETRYCZNE

Niesymetryczne wejście liniowe (cinch) do podłączania urządzeń (np. laptopa).

6 LINE INPUT (LEFT/RIGHT) – SYMETRYCZNE

Symetryczne wejście liniowe (XLR/Combo jack 6,3 mm) do podłączania urządzeń (np. pulpitu mikserkiego, keyboardu).

7 MIX OUTPUT (LEFT/RIGHT) – SYMETRYCZNE

To symetryczne wyjście stereo XLR jest niezależne od głośności ogólnej i przesyła sygnał miksera z mikrofonu i HI-Z/MP3 oraz wejściowe sygnały liniowe.

8 PRZEŁĄCZNIK MP3/HI-Z

Regulacja głośności dla kanału MP3/HI-Z.

9 MIC

Regulacja głośności dla wejścia mikrofonowego.

10 LINE

Regulacja głośności dla wejścia liniowego.

11 SUB LEVEL

Ustawianie stosunku głośności subwoofera i głośników kolumnowych.

12 MAIN LEVEL

Regulacja głośności ogólnej. Głośność subwoofera regulowana jest zgodnie z ustawieniami regulatora poziomu SUB LEVEL.

PRZYŁĄCZA, ELEMENTY OBSŁUGI I WYŚWIETLACZA:

ENGLISH

DEUTSCH

FRANCAIS

ESPAÑOL

POLSKI

ITALIANO

13 Diody LED wyświetlacza

ON: zapala się, gdy system jest włączony i prawidłowo podłączony do sieci elektrycznej.

LOCKED: za pomocą tej diody LED specjalny elektroniczny układ sterowania sygnalizuje prawidłowe połączenie wszystkich części systemu po jego włączeniu.

SIGNAL: zapala się, gdy pojawi się sygnał audio.

LIMIT: zapala się, gdy system pracuje w zakresie granicznym. Krótkie zaświecenie się diody nie jest krytyczne, ponieważ wewnętrzny limiter audio reguluje przesterowania. Stałe świecenie należy wyeliminować poprzez obniżenie głośności.

PROTECT: zapala się, gdy aktywny jest jeden z wyłączników ochronnych modułu wzmacniacza. Aby chronić wzmacniacze mocy i głośniki, głośniki w trybie PROTECT są wyłączone. Po usunięciu źródła błędu (np. przeciążenia) końcówka mocy po krótkim czasie powraca do normalnego trybu pracy, dioda PROTECT gaśnie, a system jest ponownie gotowy do pracy.

14 GNIAZDO SIECIOWE

Gniazdo sieciowe IEC ze zintegrowaną podstawą bezpiecznika.

WAŻNA INFORMACJA: bezpiecznik należy wymieniać wyłącznie na bezpiecznik tego samego typu i o takich samych parametrach. Jeśli bezpiecznik stale się przepala, należy skontaktować się z autoryzowanym centrum serwisowym.

15 POWER

Podświetlany włącznik/wyłącznik. Przed włączeniem i wyłączeniem urządzenia należy zawsze ustawić regulator głośności na zero (MAIN LEVEL w lewą stronę do oporu).

PRZYPIISANIE CZĘSTOTLIWOŚCI:

ENGLISH

DEUTSCH

FRANCAIS

ESPAÑOL

POLSKI

ITALIANO

GŁOŚNIK WYSOKOTONOWY

8000 Hz–20.000 Hz

Zwrotnica pasywna

GÓRNE TONY ŚRODKOWE/WYSOKIE

500 Hz–20.000 Hz

Moc wzmacniacza 50 W (RMS):

TONY ŚRODKOWE

170 Hz–1300 Hz

Moc wzmacniacza 50 W (RMS):

TONY ŚRODKOWE

170 Hz–900 Hz

Moc wzmacniacza 50 W (RMS):

DOLNE TONY ŚRODKOWE

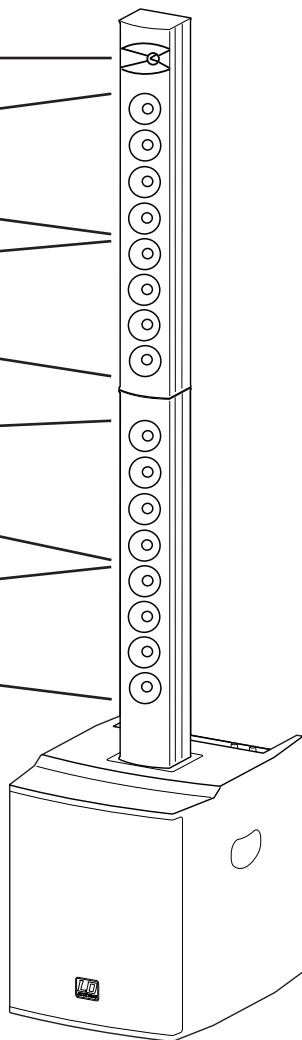
170 Hz–600 Hz

Moc wzmacniacza 50 W (RMS):

SUBWOOFER

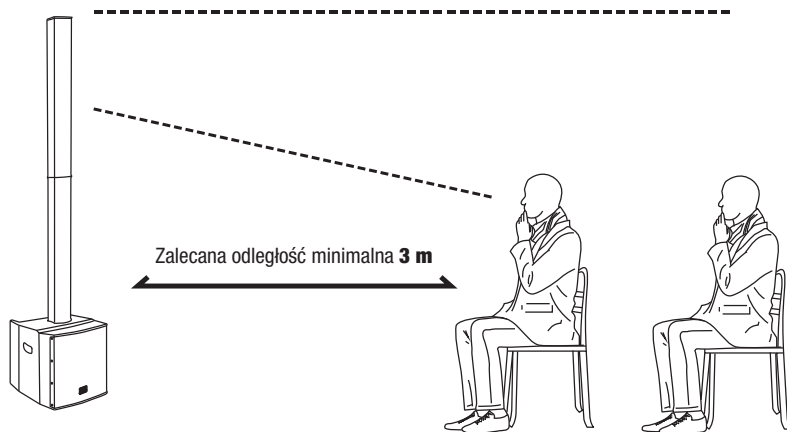
45 Hz–170 Hz

Moc wzmacniacza 200 W (RMS):



5-drożna zwrotnica częstotliwości systemu LD MAUI28MIX zapewnia czysty, dynamiczny i zrównoważony obraz dźwięku dla całego spektrum częstotliwości. Układ Array umożliwia lepsze pokrycie pola akustycznego i wyjątkowo stabilną emisję dźwięku w całym pomieszczeniu.

USTAWIENIE:



W przypadku publiczności siedzącej zaleca się zachowanie między urządzeniem MAUI28MIX a pierwszym rzędem krzeseł odległości minimalnej wynoszącej ok. 3 metry, aby móc zaoferować słuchaczom optymalne spektrum dźwięku.

ENGLISH

DEUTSCH

FRANCAIS

ESPAÑOL

POLSKI

ITALIANO

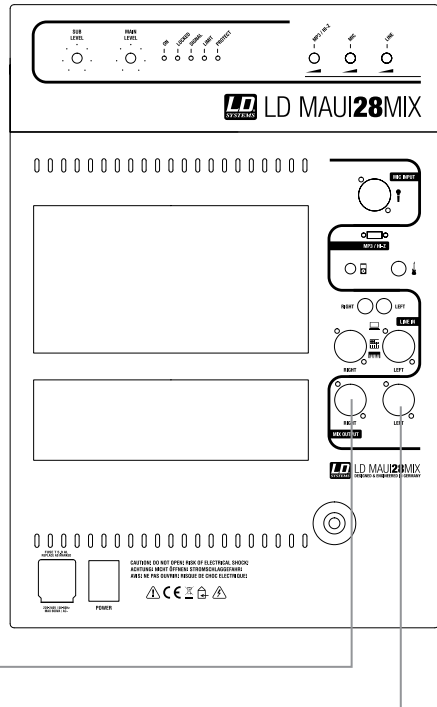
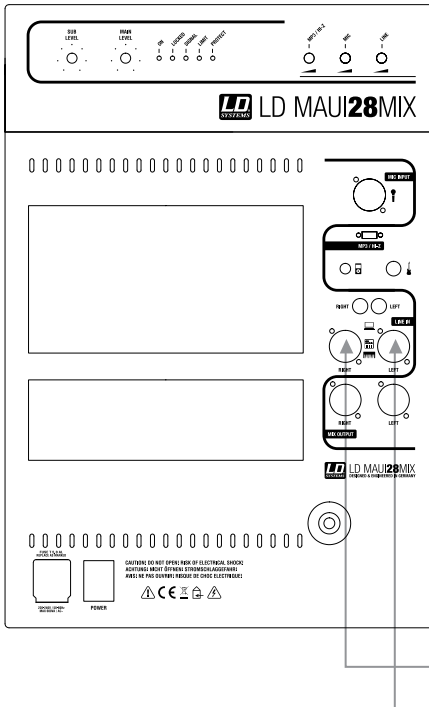
PRZYKŁAD BUDOWY:

Ustawienie w przypadku połączenia kilku systemów kolumn MAUI28MIX w szeregu:

1. Połączyć MIX OUTPUT (LEFT/RIGHT) jednostki głównej z LINE INPUT (LEFT/RIGHT) jednostki dodatkowej za pomocą kabli XLR. W taki sam sposób połączyć pierwszą jednostkę dodatkową z drugą jednostką dodatkową itd.
2. Ustawić regulator głośności LINE jednostek dodatkowych na poziomie maksymalnym (regulator w prawo do oporu).
3. Aby uzyskać taką samą głośność we wszystkich jednostkach, wystarczy ustawić regulator MAIN LEVEL jednostki głównej i regulator MAIN LEVEL jednostek dodatkowych w takiej samej pozycji na żądanym poziomie głośności.

Jednostka dodatkowa

Jednostka główna



USUWANIE USTEREK:

PROBLEM	WSKAZANIE	ROZWIĄZANIE
Urządzenie nie jest gotowe do pracy, mimo że jest włączone.	Włącznik Power i dioda Power LED nie świecą się.	Sprawdzić podłączenie do sieci. Odłączyć urządzenie od sieci! Sprawdzić bezpiecznik główny urządzenia i wymienić go w razie potrzeby. Jeśli bezpiecznik ponownie wyłącza urządzenie, odłączyć je od sieci i przekazać do autoryzowanego punktu serwisowego.
	Świeci się włącznik Power, dioda ON LED i Protect LED.	Urządzenie jest przeciążone. Zmniejszyć głośność. Jeśli dioda Protect LED zgaśnie po krótkim czasie, system jest ponownie gotowy do pracy.
	Po zmniejszeniu głośności dioda Protect LED nadal się świeci.	Usterka wewnętrzna. Wyłączyć urządzenie, odłączyć je od sieci i przekazać do autoryzowanego punktu obsługi.
Używane jest wejście HI-Z, ale nie słychać gitary, mimo że zarówno regulator HI-Z, jak i regulator Main Level jest odkręcony.	Przełącznik 4 znajduje się na pozycji na lewo (MP3).	Zmniejszyć głośność kanału gitary i ustawić przełącznik w pozycji na prawo (HI-Z).
Używane jest wejście MP3, ale nie słychać odtwarzacza MP3, mimo że zarówno regulator MP3, jak i regulator Main Level jest odkręcony.	Przełącznik 4 znajduje się na pozycji na prawo (HI-Z).	Zmniejszyć głośność kanału MP3 i ustawić przełącznik w pozycji na lewo (MP3).
Sygnal mikrofonu jest zniekształcony.		Zmniejszyć głośność kanału mikrofonowego i zwiększyć głośność ogólną (Main Level). Zmniejszyć głośność ewentualnego dodatkowo podłączonego źródła sygnału (np. keyboardu).
Sygnal gitary/MP3 jest zniekształcony.		Zmniejszyć głośność kanału gitary/MP3 i zwiększyć głośność ogólną (Main Level). Zmniejszyć głośność ewentualnego dodatkowo podłączonego źródła sygnału (np. keyboardu, mikrofonu).
		Zmniejszyć głośność źródła sygnału (np. gitary, odtwarzacza MP3) i zwiększyć głośność kanału lub głośność ogólną.

ENGLISH

DEUTSCH

FRANCAIS

ESPAÑOL

POLSKI

ITALIANO

USUWANIE USTEREK:

PROBLEM	WSKAZANIE	ROZWIĄZANIE
Sygnał wejścia liniowego jest zniekształcony.		Zmniejszyć głośność kanału liniowego i zwiększyć głośność ogólną (Main Level). Zmniejszyć głośność ewentualnego dodatkowo podłączonego źródła sygnału (np. keyboardu, mikrofonu).
		Zmniejszyć głośność źródła sygnału (np. pulpitu mikserskiego) i zwiększyć głośność kanału lub głośność ogólną.
Sygnał ogólny jest zniekształcony.	Dioda Limit LED stale się świeci.	Zmniejszyć głośność ogólną (MAIN LEVEL).

ENGLISH

DEUTSCH

FRANCAIS

ESPAÑOL

POLSKI

ITALIANO

OPCJONALNE AKCESORIA:



LDM28CB

Wózek na kółkach do przewożenia systemu Maui28 i MAUI28MIX



LDM28SATBAG

Torba transportowa na głośniki kolumnowe MAUI28 i MAUI28MIX



LDM28SUBPC

Torba transportowa na subwoofer MAUI28 i MAUI28MIX

ENGLISH

DEUTSCH

FRANCAIS

ESPAÑOL

POLSKI

ITALIANO

SPECYFIKACJA:

Oznaczenie modelu:	LDMAUI28MIX
Rodzaj produktu:	kompleksowy system PA
Typ:	aktywny
Kolor:	czarny
Maks. SPL (ciągły):	115 dB
Maks. SPL (szczytowy):	123 dB
Charakterystyka częstotliwościowa:	45 Hz–20.000 Hz
Kąt promieniowania dźwięku (poziom x pion):	120° (poziom)
Waga:	35 kg
Subwoofer	
Wielkość subwoofera:	2 x 8"
Wielkość subwoofera:	2 x 203 mm
Magnes subwoofera:	ferrytowy
Marka subwoofera:	na zamówienie
Typ konstrukcji obudowy:	konstrukcja V, bass-reflex
Materiał obudowy:	sklejka, 15 mm
Powierzchnia obudowy:	lakier strukturalny Dura Coat LX
Wymiary subwoofera (szer. x wys. x gł.):	390 x 450 x 510 mm
Właściwości użytkowe subwoofera:	ergonomicznie wyprofilowane uchwyty, złącze wielostykowe Custom Made dla pionowego układu Array
System Mid/Hi	
Rozmiary głośnika średniotonowego:	16 x 3"
Rozmiary głośnika średniotonowego:	16 x 76 mm
Magnes głośnika średniotonowego:	neodymowy
Marka głośnika średniotonowego:	na zamówienie
Wymiary głośnika wysokotonowego:	1"
Wymiary głośnika wysokotonowego:	25 mm
Magnes głośnika wysokotonowego:	ferrytowy
Marka głośnika wysokotonowego:	na zamówienie
Wejścia głośnika:	1
Przylączy wejściowe głośnika:	wielostykowe Custom Made

SPECYFIKACJA:

ENGLISH

DEUTSCH

FRANCAIS

ESPAÑOL

POLSKI

ITALIANO

Rodzaj obudowy systemu Mid/Hi:	zamknięta
Materiał obudowy systemu Mid/Hi:	aluminium
Powierzchnia obudowy systemu Mid/Hi:	lakier
Wymiary systemu Mid/Hi (szer. x wys. x gł.):	110 x 790 x 90 mm
Właściwości użytkowe systemu Mid/Hi:	pionowy układ Array z 4-drożnym ampingiem i niezwykle szerokim zakresem emisji dźwięku
Moduł wzmacniacza	
Wzmacniacz:	5-drożny klasy A/B
Moc systemu ze wzmacniaczem (RMS):	400 W
Moc subwoofera (RMS):	200 W
Moc wzmacniacza Mid/Hi (RMS):	4 x 50 W
Wyłączniki ochronne:	podwójny limiter
Chłodzenie:	radiator aluminiowy
Elementy obsługi:	Main Level, Sub Level, Mic Level, Line Level, MP3/Hi-Z Level, Input Switch (Hi-Z/MP3), ON/OFF
Wyświetlane elementy:	diody LED: On, Locked, Signal, Limit, Protect
Zasilanie:	transformator
Napięcie robocze:	220 V AC–240 V AC, 50–60 Hz
Pobór prądu (maks.):	600 VA
Wejścia liniowe:	2
Przylączy wejściowe liniowe:	XLR/Combo jack 6,3 mm, cinch
Wejścia mikrofonowe:	1
Przylączy wejściowe mikrofonowe:	XLR/Combo jack 6,3 mm
Wejścia HI-Z:	1 (alternatywa dla wejścia dla odtwarzacza MP3)
Przylączy wejściowe HI-Z:	jack 6,3 mm
Wejścia dla odtwarzacza MP3:	1 (alternatywa dla wejścia HI-Z)
Przylączy wejściowe dla odtwarzacza MP3:	jack stereo 3,5 mm
Wyjścia głośnikowe:	1
Przylączy wyjściowe głośnika:	wielostykowe Custom Made
Pozostałe cechy:	filtr górnoprzepustowy 100 Hz w kanale mikrofonowym

DEKLARACJE PRODUCENTA:

GWARANCJA PRODUCENTA

Niniejsza gwarancja dotyczy marek Adam Hall, LD Systems, Defender, Palmer i Cameo. Obejmuje ona wszystkie marki znajdujące się w ofercie firmy Adam Hall.

Niniejsze oświadczenie gwarancyjne nie ogranicza ustawowych roszczeń wobec producenta wynikających z rękojmi, lecz rozszerza je o dodatkowe roszczenia gwarancyjne wobec firmy Adam Hall.

Adam Hall gwarantuje, że w okresie od dwóch do pięciu lat (w zależności od produktu) od daty zakupu dany produkt Adam Hall, który został zakupiony bezpośrednio od firmy Adam Hall lub od autoryzowanego sprzedawcy, pod warunkiem zgodnego z przeznaczeniem użytkowania jest wolny od wad materiałowych i produkcyjnych.

Okres gwarancji rozpoczyna się od daty zakupu produktu, którą w razie wystąpienia przypadku objętego gwarancją należy odpowiednio udokumentować (poprzez przedłożenie faktury lub dowodu dostawy z datą zakupu). Jeśli w przypadku produktów wymienionych powyżej marek konieczna będzie naprawa w trakcie trwania okresu gwarancji, klient jest uprawniony do jej zlecenia w oparciu o niniejsze warunki.

W trakcie trwania okresu gwarancji firma Adam Hall naprawi lub wymieni wadliwe elementy lub produkty. W przypadku naprawy lub wymiany w trakcie trwania okresu gwarancji wymienione części oryginalne lub produkty stają się własnością firmy Adam Hall.

Jeśli nastąpi bardzo mało prawdopodobna sytuacja wielokrotnego występowania wady w nabytym przez klienta produkcie, firma Adam Hall ma prawo, według własnego uznania, zastąpić wadliwy produkt, pod warunkiem, że nowy produkt będzie co najmniej równoważny z wymienianym produktem pod względem specyfikacji technicznej.

Adam Hall nie udziela gwarancji na bezzakłóceniu i/lub bezawaryjne działanie tego produktu. Adam Hall nie ponosi także odpowiedzialności za szkody powstałe wskutek nieprzestrzegania instrukcji obsługi lub innych dokumentów załączonych do tego produktu firmy Adam Hall. Gwarancja producenta nie obejmuje – części zużywalnych (np. akumulatory), – produktów, z których usunięto numer seryjny lub które zostały uszkodzone w wyniku wypadku, – szkód wynikających z nieodpowiedniej eksploatacji, nieprawidłowej obsługi lub innych przyczyn zewnętrznych, – szkód w urządzeniach, które były eksploatowane niezgodnie z ich parametrami roboczymi (parametry zgodne z dokumentacją załączoną do produktu), – szkód wynikających ze stosowania części zamiennych, które nie są produkowane, sprzedawane lub zalecane przez firmę Adam Hall, – szkód wynikających z ingerencji osób trzecich/modyfikacji lub napraw, które nie zostały przeprowadzone przez firmę Adam Hall.

Niniejsze postanowienia i warunki stanowią kompletną i wyłączną umowę gwarancyjną między klientem a firmą Adam Hall dotyczącą zakupionego przez klienta produktu Adam Hall.

DEKLARACJE PRODUCENTA:

ENGLISH

DEUTSCH

FRANCAIS

ESPAÑOL

POLSKI

ITALIANO

OGRANICZENIE ODPOWIEDZIALNOŚCI

Jeśli w produktach sprzętowych firmy Adam Hall w trakcie trwania okresu gwarancji wystąpią szkody materiałowe lub technologiczne (zgodnie z powyższym oświadczeniem gwarancyjnym), jedyne i wyłączne prawo klienta wynikające z niniejszej gwarancji dotyczy naprawy lub wymiany urządzenia. Maksymalna odpowiedzialność firmy Adam Hall jest zgodnie z niniejszą gwarancją wyraźnie ograniczona do ceny kupna lub kosztów naprawy lub wymiany (w zależności od tego, która z tych kwot będzie niższa) elementów uszkodzonych podczas normalnego użytkowania.

Adam Hall nie ponosi odpowiedzialności za żadne szkody spowodowane przez produkt lub jego nieprawidłowe działanie, włącznie z utraconym zyskiem i niepowstałymi oszczędnościami oraz szkodami szczególnymi, pośrednimi i wynikowymi. Ponadto Adam Hall nie ponosi odpowiedzialności za roszczenia prawne osób trzecich ani roszczenia zgłoszone przez klienta w imieniu osób trzecich.

Niniejsze ograniczenie odpowiedzialności obowiązuje niezależnie od tego, czy szkody są dochodzone na drodze sądowej lub czy roszczenia odszkodowawcze wnoszone są w ramach niniejszej gwarancji w wyniku niedozwolonych działań (włącznie z niedbalstwem i odpowiedzialnością z tytułu zagrożenia) lub w wyniku roszczeń umownych lub innych. Nie może ono zostać także przez nikogo zniesione ani zmienione. Niniejsze ograniczenie odpowiedzialności obowiązuje także wówczas, gdy klient poinformuje firmę Adam Hall lub autoryzowanego przedstawiciela firmy Adam Hall o możliwości wystąpienia takich szkód, nie obowiązuje natomiast w przypadku roszczeń odszkodowawczych związanych ze szkodami na osobie.

Niniejsza gwarancja producenta przyznaje klientowi określone prawa. W zależności od jurysdykcji (państwo lub kraj związkowy) klientowi może przysługiwać prawo zgłoszenia dalszych roszczeń. W takich przypadkach zaleca się zastosowanie odpowiednich przepisów umożliwiających skorzystanie z pełni przysługujących danej osobie praw.

SKORZYSTANIE Z GWARANCJI

W razie wystąpienia przypadku objętego gwarancją należy zwrócić się bezpośrednio do firmy Adam Hall lub do autoryzowanego sprzedawcy, u którego produkt został zakupiony.

DEKLARACJA ZGODNOŚCI WE

Sprzedawane przez firmę Adam Hall urządzenia są zgodne z podstawowymi wymogami i pozostałymi obowiązującymi specyfikacjami określonymi dyrektywami 1999/5/WE (R&TTE), 2004/108/WE (EMC) i 2006/95/WE (LVD) (o ile mają zastosowanie). Dalsze informacje dostępne są na stronie www.adamhall.com.

DEKLARACJE PRODUCENTA:

PRAWIDŁOWA UTYLIZACJA NINIEJSZEGO PRODUKTU

(dotyczy Unii Europejskiej i innych krajów europejskich, w których stosuje się segregację odpadów)



Niniejszy symbol na produkcie lub związanych z nim dokumentach wskazuje, iż po zakończeniu okresu użytkowania urządzenie nie może być utylizowane razem ze standardowymi odpadami domowymi, ponieważ mogłoby to spowodować szkody w środowisku lub szkody na osobie powstałe w wyniku niekontrolowanego usuwania odpadów. Niniejszy produkt należy utylizować oddzielnie od innych odpadów i przekazać do punktu recyklingu w celu wspierania ruchu okrężnego w gospodarce w ramach idei zrównoważonego rozwoju.

Klienci prywatni otrzymują informacje w zakresie przyjaznych dla środowiska możliwości usuwania odpadów od sprzedawcy, u którego produkt został zakupiony, lub w odpowiednich placówkach regionalnych.

Użytkownicy będący przedsiębiorcami proszeni są o kontakt ze swoimi dostawcami i ewentualne sprawdzenie uzgodnionych umownie warunków utylizacji urządzeń. Niniejszy produkt nie może być utylizowany razem z innymi odpadami przemysłowymi.

OCHRONA ŚRODOWISKA I OSZCZĘDZANIE ENERGII

Oszczędzanie energii stanowi aktywny wkład w ochronę środowiska. Należy wyłączać wszystkie nieużywane urządzenia elektryczne. Aby zapobiec zużyciu prądu przez nieużywane urządzenia znajdujące się w trybie czuwania (standby), należy wyjąć wtyczkę z gniazda sieciowego.

Adam Hall GmbH, wszystkie prawa zastrzeżone. Dane techniczne i funkcjonalne produktu mogą podlegać modyfikacjom. Kopiowanie, tłumaczenie i pozostałe formy reprodukcji fragmentów lub całości tej instrukcji obsługi są zabronione.

ENGLISH

DEUTSCH

FRANCAIS

ESPAÑOL

POLSKI

ITALIANO

Avete fatto la scelta giusta!

Quest'apparecchio è stato sviluppato e prodotto secondo elevati standard qualitativi che garantiscono un funzionamento regolare per molti anni. Per questo motivo LD Systems, con il suo nome e la pluriennale esperienza, rappresenta un'azienda produttrice di prodotti audio di qualità.

Leggete attentamente questo manuale d'uso per utilizzare al meglio il vostro nuovo prodotto LD Systems.

Per maggiori informazioni su LD SYSTEMS, consultate la nostra pagina web WWW.LD-SYSTEMS.COM

Introduzione

La versione MIX è la variante che aggiunge versatilità al MAUI28: grazie alle avanzate opzioni di connessione e regolazione di cui dispone, il sistema PA compatto è la soluzione ideale per artisti solisti, DJ e presentatori. L'eleganza del disegno inoltre lo rende particolarmente adatto anche per installazioni fisse in ambienti raffinati.

Dispone di un ingresso microfono combo XLR-Jack, di un ingresso jack ad elevata impedenza per la connessione di strumenti (ad es. chitarra) e di un mini jack per la connessione di lettori MP3, attivabili con un interruttore a spinta. Per collegare mixer, computer e altre fonti di segnale con livello di linea, quali tastiere, il sistema LD MAUI28MIX consta di connettori RCA e combo. I canali d'ingresso naturalmente si possono utilizzare contemporaneamente e il loro volume, il volume del sistema e il livello del subwoofer si possono impostare individualmente mediante i relativi regolatori.

L'affidabilità del funzionamento è garantita da un limitatore duale integrato e da un circuito di protezione, mentre l'intelligente design Plug & Play con speciali connettori rende le operazioni di montaggio e smontaggio estremamente rapide e semplici. L'amplificazione a 5 vie di classe AB con controllo separato delle singole bande di frequenza raggiunge una riproduzione perfettamente bilanciata, dal suono omogeneo e naturale e dall'ampio range dinamico. Grazie all'ampio angolo di dispersione orizzontale di 120° e alla massima resistenza di feedback, non sono necessari monitor separati.

LD MAUI28MIX

SISTEMA COMPATTO PA ATTIVO A COLONNE
CON UNITÀ MIXER A 3 CANALI



ENGLISH

DEUTSCH

FRANCAIS

ESPAÑOL

POLSKI

ITALIANO

MISURE PRECAUZIONALI:

1. Leggere attentamente il presente manuale di istruzioni.
2. Conservare tutte le indicazioni e le istruzioni in un luogo sicuro.
3. Seguire le istruzioni.
4. Rispettare tutte le avvertenze. Non rimuovere dal dispositivo le indicazioni sulla sicurezza o altre informazioni.
5. Utilizzare il dispositivo solo nei modi previsti dal manuale.
6. Utilizzare esclusivamente stativi e fissaggi stabili e adatti (per installazioni fisse). Verificare che i supporti a parete siano installati e fissati a regola d'arte. Verificare che il dispositivo sia installato in modo stabile e non possa cadere.
7. Durante l'installazione, osservare le normative sulla sicurezza in vigore nel proprio Paese.
8. Non installare né azionare il dispositivo in prossimità di radiatori, accumulatori termici, stufe o altre fonti di calore. Accertarsi che il dispositivo sia sempre installato in modo che venga raffreddato a sufficienza e non possa surriscaldarsi.
9. Non appoggiare sul dispositivo fonti di combustione, quali candele accese.
10. Le fessure di areazione non devono essere bloccate.
11. Non attivare il dispositivo nelle immediate vicinanze di acqua (questo punto non interessa i dispositivi specifici per l'esterno, per i quali valgono le speciali indicazioni riportate di seguito). Non portare mai il dispositivo a contatto con materiali, liquidi o gas infiammabili.
12. Accertarsi che all'interno del dispositivo non possa penetrare acqua per gocciolamento o spruzzo. Non collocare sul dispositivo oggetti contenenti liquidi, quali vasi, tazze o bicchieri.
13. Assicurarsi che non sia possibile la caduta di oggetti nel dispositivo.
14. Azionare il dispositivo esclusivamente con gli accessori appositamente consigliati e previsti dal produttore.
15. Non aprire né modificare il dispositivo.
16. Una volta collegato il dispositivo, verificare tutti i cavi per evitare danni o incidenti, ad esempio per inciampo.
17. Durante il trasporto, assicurarsi che il dispositivo non possa cadere e causare possibili danni a cose e/o persone.
18. Se il dispositivo non funzionasse più correttamente, vi fosse caduto sopra del liquido o un oggetto o fosse stato danneggiato in altro modo, spegnerlo immediatamente e staccare la spina (se si tratta di un dispositivo attivo). La riparazione del dispositivo deve essere affidata esclusivamente a personale qualificato autorizzato.
19. Per la pulizia del dispositivo utilizzare un panno pulito.
20. Rispettare le leggi sullo smaltimento in vigore nel Paese di installazione. Al momento di smaltire l'imballo, separare la plastica dalla carta e dal cartone.
21. I sacchetti di plastica devono essere tenuti lontani dalla portata dei bambini.

DISPOSITIVI CON ALLACCIAMENTO DI RETE:

22. **ATTENZIONE:** se il cavo di rete è dotato di contatto di protezione, deve essere collegato a una presa di rete con messa a terra. Non disattivare mai la connessione di messa a terra di un cavo di rete.
23. Non accendere il dispositivo subito dopo essere stato sottoposto a forti variazioni di temperatura (ad esempio dopo il trasporto). Umidità e condensa potrebbero danneggiare il dispositivo. Accendere il dispositivo solo dopo che ha raggiunto la temperatura ambiente.
24. Prima di collegare il dispositivo alla presa, controllare innanzitutto se la tensione e la frequenza della rete elettrica coincidono con i valori indicati sul dispositivo stesso. Nel caso di dispositivo munito di selettore di tensione, collegarlo alla presa unicamente se i valori del dispositivo coincidono con quelli della rete elettrica. Se il cavo di rete o l'adattatore di rete forniti in dotazione non sono compatibili con la presa, rivolgersi a un elettricista.
25. Non calpestare il cavo di rete. Accertarsi che i cavi sotto tensione, in particolare della presa di rete o dell'adattatore di rete, non vengano pizzicati.
26. Durante il cablaggio del dispositivo, verificare sempre che il cavo di rete e l'adattatore di rete siano costantemente accessibili. Staccare sempre il dispositivo dall'alimentazione di rete quando non è utilizzato o durante la pulizia. Per staccare dalla presa il cavo di rete e l'adattatore di rete, tirare sempre dalla spina o dall'adattatore e non dal cavo. Non toccare mai il cavo di alimentazione e l'alimentatore con le mani umide.

SICUREZZA:

ENGLISH

DEUTSCH

FRANCAIS

ESPAÑOL

POLSKI

ITALIANO

27. Evitare per quanto possibile di accendere e spegnere velocemente il dispositivo per non pregiudicarne la durata.
28. **NOTA IMPORTANTE:** Sostituire i fusibili esclusivamente con fusibili dello stesso tipo e valore. Se un fusibile continua a saltare, rivolgersi a un centro di assistenza autorizzato.
29. Per staccare completamente il dispositivo dalla rete elettrica, rimuovere il cavo di rete o l'adattatore di rete dalla presa.
30. Per staccare un dispositivo provvisto di presa Volex, è prima necessario sbloccare la relativa spina Volex del dispositivo stesso. Tirando il cavo di rete, però, il dispositivo potrebbe spostarsi e cadere, provocando danni alle persone o di altro genere. Prestare quindi la più scrupolosa attenzione durante la posa dei cavi.
31. In caso di pericolo di caduta di fulmine, o se il dispositivo rimane inutilizzato a lungo, staccare sempre il cavo di rete e l'adattatore di rete dalla presa.



ATTENZIONE:

non togliere mai il coperchio di protezione per evitare il pericolo di scosse elettriche. L'interno del dispositivo non contiene parti che possono essere riparate o sottoposte a manutenzione da parte dell'utente. Le riparazioni dovranno essere realizzate esclusivamente da tecnici qualificati.



Il triangolo isoscele con il simbolo del fulmine indica la presenza nel dispositivo di tensioni non isolate, "pericolose", che possono provocare scosse dannose alla salute.



Il triangolo isoscele con punto esclamativo avverte di importanti segnalazioni relative all'uso e alla manutenzione.

ATTENZIONE: ELEVATI LIVELLI SONORI NEI PRODOTTI AUDIO!

Questo dispositivo è destinato a uso professionale. Di conseguenza, se viene destinato ad un uso commerciale, sarà soggetto alle norme e ai regolamenti dell'Associazione per la prevenzione di infortuni del rispettivo settore professionale. In qualità di produttore, Adam Hall è tenuto per legge a informare espressamente gli utenti degli eventuali rischi per la salute.

Danni all'udito provocati da un'esposizione prolungata a un livello SPL elevato: dall'utilizzo di questo prodotto si possono generare elevati livelli di pressione sonora (SPL) che possono provocare danni irreparabili all'udito di artisti, collaboratori e spettatori. Evitare l'esposizione prolungata a livelli sonori elevati, superiori a 90 dB.

ATTENZIONE! INDICAZIONI IMPORTANTI RELATIVE AI PRODOTTI DI ILLUMINAZIONE

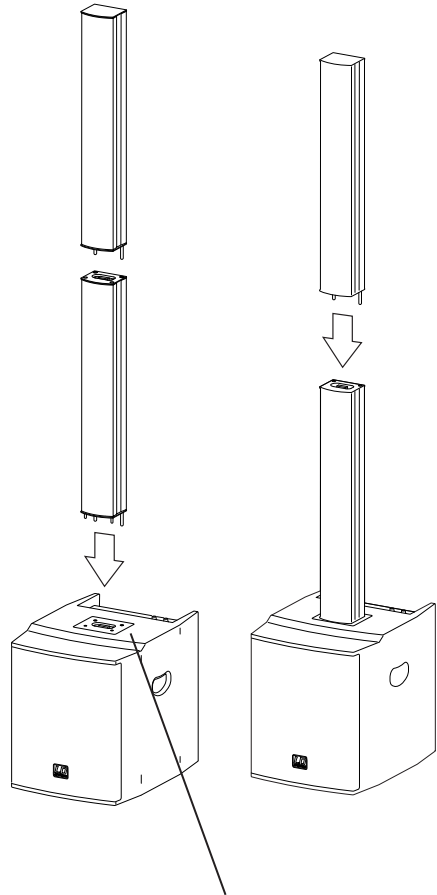
1. Non guardare il fascio di luce da distanze inferiori a 40 cm.
2. Non guardare mai a lungo il fascio di luce da breve-media distanza.
3. Non guardare mai il fascio di luce con dispositivi ottici quali le lenti d'ingrandimento.
4. In alcuni casi, in persone sensibili gli effetti stroboscopici possono causare attacchi epilettici. Pertanto, le persone affette da epilessia devono assolutamente evitare luoghi in cui vengono impiegati effetti stroboscopici.

MONTAGGIO:

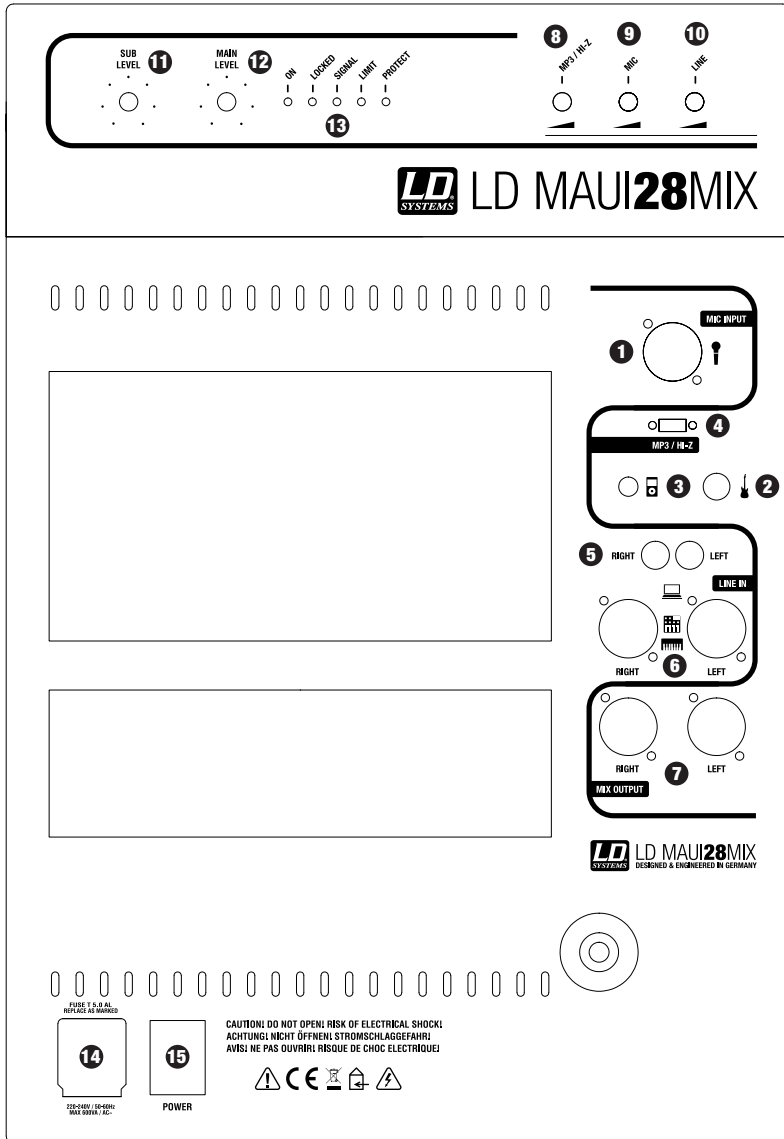
Il sistema LD MAUI28MIX All-in-one Array è composto dai 3 componenti seguenti:

1. Subwoofer con elettronica integrata per tutti e tre i componenti e connessione "multipin" (v. figura **1**) per la colonna array verticale.
2. Colonna array verticale inferiore con altoparlanti 8 x 3" e 2 collegamenti multipolari, uno sul lato superiore e uno su quello inferiore.
3. Colonna array verticale superiore con altoparlanti 8 x 3" con altoparlante per toni alti e un collegamento multipolare sul lato inferiore.

Dopo aver posizionato il subwoofer nel locale di utilizzo, posizionare la colonna array verticale inferiore sul subwoofer. 4 perni in acciaio stabili garantiscono che i connettori multipolari di entrambe le casse siano collegati perfettamente tra loro. A questo punto, la colonna array verticale superiore può essere posizionata sulla colonna inferiore nello stesso modo. Un'elettronica di controllo dedicata indica attraverso un apposito LED ("LOCKED") il corretto collegamento di tutte le parti del sistema al momento dell'accensione del sistema array MAUI28MIX.



CONNESSIONI, COMANDO E VISUALIZZAZIONE:



ENGLISH

DEUTSCH

FRANCAIS

ESPAÑOL

POLSKI

ITALIANO

CONNESSIONI, COMANDO E VISUALIZZAZIONE:

1 MIC INPUT

Ingresso microfono bilanciato (combo XLR / jack da 6,3 mm). È anche possibile utilizzare un cavo microfono non bilanciato (jack mono). L'ingresso del microfono dispone di un filtro integrato da 100 Hz per rumore d'impatto che sopprime i segnali di bassa frequenza indesiderati.

NOTA: l'ingresso del microfono non è munito di alimentazione Phantom.

2 INGRESSO HI-Z

Ingresso per chitarra acustica o elettrica. Quando si utilizza questo ingresso, posizionare l'interruttore 4 a destra (HI-Z). Il canale passa a mono.

3 MP3 INPUT

Ingresso jack da 3,5 mm per lettore MP3. Quando si utilizza questo ingresso, posizionare l'interruttore 4 a sinistra (MP3). Il canale passa a stereo.

4 INTERRUTTORE MP3/HI-Z

Se posizionato a sinistra, è impostato l'ingresso MP3, a destra è attivo l'ingresso HI-Z.

5 INGRESSO LINEA NON BILANCIATO (LEFT/RIGHT)

Ingresso di linea non bilanciato (RCA) per il collegamento di un dispositivo di riproduzione (come un portatile).

6 INGRESSO LINEA BILANCIATO (LEFT/RIGHT)

Ingresso di linea bilanciato (combo XLR/jack da 6,3 mm) per il collegamento di un dispositivo di riproduzione (ad es. mixer, tastiera).

7 USCITA LINEA BILANCIATA (LEFT/RIGHT)

Questa uscita stereo XLR bilanciata è indipendente dal controllo MAIN LEVEL e predispose il segnale miscelato proveniente dai segnali di input di microfono, HI-Z/MP3 e linea.

8 MP3/HI-Z

Regolatore del volume per il canale MP3/HI-Z.

9 MICRO

Regolazione del volume per l'ingresso del microfono.

10 LINEA

Regolazione del volume per l'ingresso di linea.

11 SUB LEVEL

Impostazione del volume del subwoofer e dell'altoparlante a colonna.

12 MAIN LEVEL

Impostazione del volume generale. Il volume dei subwoofer si regola in base alla preimpostazione con il controllo SUB LEVEL.

CONNESSIONI, **COMANDO E VISUALIZZAZIONE:**

13 LED DEL DISPLAY

ON: Si accende non appena il sistema viene attivato e collegato correttamente alla corrente di alimentazione.

LOCKED: Un'elettronica di controllo dedicata indica attraverso questo LED il corretto collegamento di tutte le parti del sistema al momento dell'accensione del sistema.

SIGNAL: Si accende non appena compare un segnale audio.

LIMIT: Si accende non appena il sistema raggiunge la gamma limite. Un'accensione breve non è un segnale critico, poiché il limitatore audio interno esclude sovramodulazioni. È opportuno evitare l'accensione permanente abbassando il volume.

PROTECT: Si accende se è attivo uno dei circuiti di protezione nel modulo amplificatore. Per proteggere gli amplificatori di potenza e gli altoparlanti, nella modalità Protect gli altoparlanti vengono disattivati. Se si elimina l'origine dell'errore (ad esempio un sovraccarico), dopo poco il finale di potenza torna alla normalità, il LED PROTECT si spegne e il sistema è di nuovo operativo.

14 PRESA DI RETE

Presa di rete IEC con portafusibile integrato.

NOTA IMPORTANTE: sostituire il fusibile solo con un fusibile dello stesso tipo e con gli stessi valori. Se il fusibile continua a saltare, rivolgersi a un centro di assistenza autorizzato.

15 POWER

Interruttore luminoso di accensione/spegnimento. Prima di accendere/spegnere, posizionare sempre il volume generale su zero (MAIN LEVEL tutto a sinistra).

ENGLISH

DEUTSCH

FRANCAIS

ESPAÑOL

POLSKI

ITALIANO

ASSEGNAZIONE DELLA FREQUENZA:

ALTI

8.000 Hz - 20.000 Hz
Crossover passivo

MEDI/ALTI ACUTI

500 Hz - 20.000 Hz

Performance amplificatore 50 W (RMS)

MEDI

170 Hz - 1.300 Hz

Performance amplificatore 50 W (RMS)

MEDI

170 Hz - 900 Hz

Performance amplificatore 50 W (RMS)

MEDI BASSI

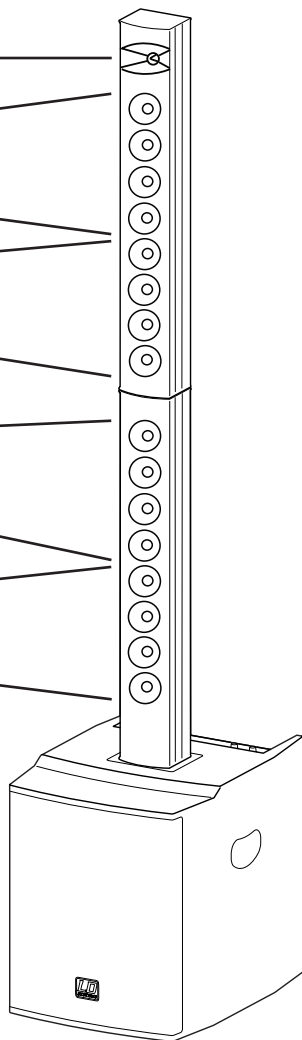
170 Hz - 600 Hz

Performance amplificatore 50 W (RMS)

SUBWOOFER

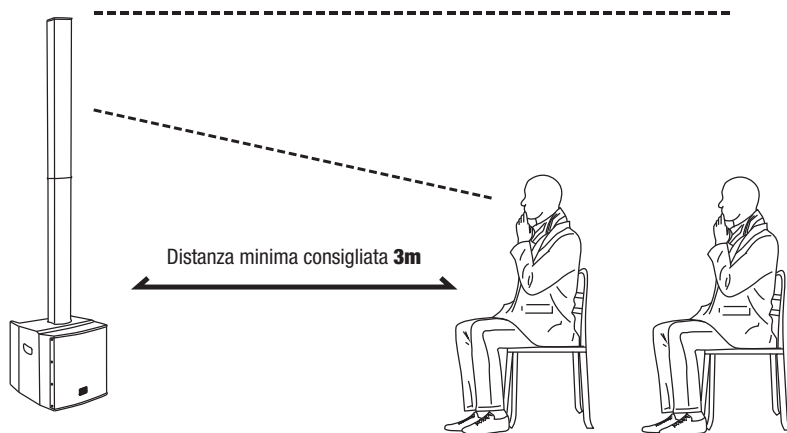
45 Hz - 170 Hz

Performance amplificatore 200 W (RMS)



Il crossover a 5 vie del LD MAUI28MIX assicura un suono chiaro, dinamico ed equilibrato su tutta la gamma di frequenza. La disposizione ad array garantisce una distribuzione del suono in sala migliore e più uniforme.

POSIZIONAMENTO:



Con pubblico seduto, è consigliabile mantenere una distanza minima di circa 3 metri tra il MAUI28MIX e la prima fila di poltrone per garantire agli ascoltatori un suono ottimale.

ENGLISH

DEUTSCH

FRANCAIS

ESPAÑOL

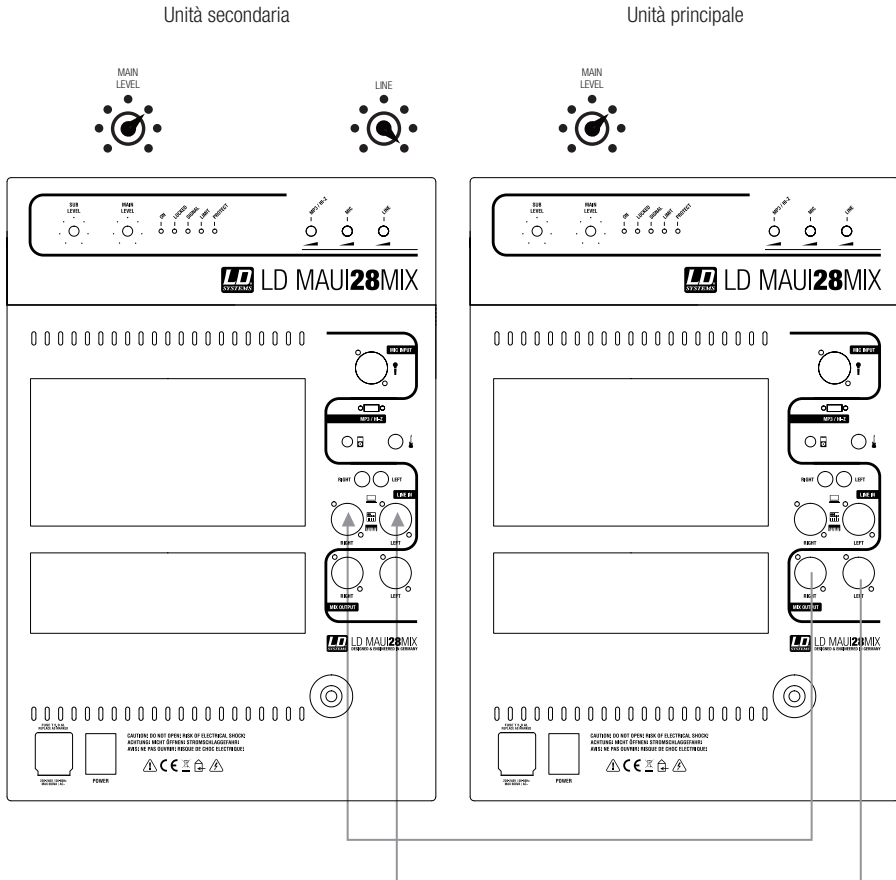
POLSKI

ITALIANO

ESEMPIO DIMONTAGGIO:

Configurazione di connessione di più impianti a colonna MAUI28MIX in catena:

1. Collegare MIX OUTPUT (LEFT/RIGHT) dell'unità principale con LINE INPUT (LEFT / RIGHT) dell'unità secondaria utilizzando dei cavi XLR. Procedere allo stesso modo con la prima unità secondaria e la seconda unità secondaria (ecc.).
2. Impostare su "massimo" il regolatore del volume LINE delle unità secondarie (regolatore tutto a destra).
3. Per ottenere lo stesso volume in tutte le unità, basta portare il regolatore MAIN LEVEL dell'unità principale e il regolatore MAIN LEVEL delle unità secondarie alla stessa posizione del volume desiderato.



RICERCA E SOLUZIONE DIGUASTI:

ENGLISH

DEUTSCH

FRANCAIS

ESPAÑOL

POLSKI

ITALIANO

PROBLEMA	SPIE LUMINOSE	SOLUZIONE
L'impianto non è operativo anche se è acceso.	L'interruttore Power e il LED ON non sono accesi.	Verificare la connessione di rete. Staccare l'impianto dalla rete! Controllare il fusibile principale dell'impianto ed eventualmente sostituirlo. Se il fusibile salta ripetutamente, staccare l'impianto dalla rete e inviarlo a un centro di assistenza autorizzato.
	L'interruttore Power, il LED ON e il LED PROTECT sono accesi.	L'impianto è sovraccarico. Abbassare il volume. Il LED PROTECT si spegne dopo breve, il sistema è di nuovo operativo.
	Il LED PROTECT resta acceso anche una volta abbassato il volume.	Guasto interno. Spegnerne l'impianto, staccare dalla rete e inviare al servizio di assistenza autorizzato.
Si utilizza l'ingresso HI-Z ma la chitarra non si sente anche se i comandi HI-Z e Main Level sono entrambi girati.	L'interruttore 4 è posizionato a sinistra (MP3).	Abbassare il volume del canale chitarra e posizionare l'interruttore a destra (HI-Z).
Si utilizza l'ingresso MP3 ma il lettore MP3 non si sente anche se i controlli MP3 e Main Level sono entrambi girati.	L'interruttore 4 è posizionato a destra (HI-Z).	Abbassare il volume del canale MP3 e posizionare l'interruttore a sinistra (MP3).
Distorsione del segnale microfono.		Abbassare il volume del canale-microfono e aumentare il volume generale (Main Level). Abbassare anche il volume delle altre eventuali fonti di segnale collegate (come la tastiera).
Segnale chitarra/MP3 distorto.		Abbassare il volume del canale chitarra/MP3 e aumentare il volume generale (Main Level). Abbassare anche il volume delle altre eventuali fonti di segnale collegate (come tastiera, microfono).
		Abbassare il volume della fonte di segnale (come chitarra, lettore MP3) e aumentare il volume del canale o generale.

RICERCA E SOLUZIONE DIGUASTI:

PROBLEMA	SPIE LUMINOSE	SOLUZIONE
Segnale dell'ingresso di linea distorto.		Abbassare il volume del canale microfono e aumentare il volume generale (Main Level). Abbassare anche il volume delle altre eventuali fonti di segnale collegate (come tastiera, microfono).
		Abbassare il volume della fonte di segnale (come il mixer) e aumentare il volume del canale o generale.
Segnale generale distorto.	Il LED LIMIT resta sempre acceso.	Abbassare il volume generale (MAIN LEVEL).

ENGLISH

DEUTSCH

FRANCAIS

ESPAÑOL

POLSKI

ITALIANO

ACCESSORI OPZIONALI:



LDM28CB

Pannello con ruote per i sistemi MAUI28 e MAUI28MIX



LDM28SATBAG

Borsone per altoparlanti a colonna di MAUI28 e MAUI28MIX



LDM28SUBPC

Borsone per subwoofer di MAUI28 e MAUI28MIX

ENGLISH

DEUTSCH

FRANCAIS

ESPAÑOL

POLSKI

ITALIANO

SPECIFICHE:

Nome del modello:	LDMAUI28MIX
Tipo di prodotto:	Sistema PA completo
Tipo:	Attivo
Colore:	Nero
SPL max (continuo):	115 dB
SPL max (picco):	123 dB
Risposta in frequenza:	45 Hz - 20.000 Hz
Angolo di dispersione (h x V):	120° (orizzontale)
Peso:	35 kg
Subwoofer	
Dimensioni subwoofer:	2 x 8"
Dimensioni subwoofer:	2 x 203 mm
Magnete subwoofer:	Ferrite
Marca subwoofer:	Custom Made
Design cassa:	Struttura a V, bass reflex
Materiale alloggiamento:	Compensato 15 mm
Superficie cassa:	Vernice a struttura Dura Coat LX
Dimensioni subwoofer (L x H x P):	390 x 450 x 510 mm
Caratteristiche del subwoofer:	Maniglie ergonomiche a incasso, connettore multipin customizzato per array verticale
Sistema toni medi/alti	
Dimensioni altoparlante toni medi:	16 x 3"
Dimensioni altoparlante toni medi:	16 x 76 mm
Magnete altoparlante toni medi:	Neodimio
Marca altoparlante toni medi:	Custom Made
Dimensioni tweeter:	1"
Dimensioni tweeter:	25 mm
Magnete tweeter:	Ferrite
Marca tweeter:	Custom Made
Ingressi altoparlante:	1
Connessioni di ingresso dell'altoparlante:	Multipin customizzato

SPECIFICHE:

Modello alloggiamento sistema toni medi/alti:	Chiuso
Materiale alloggiamento sistema toni medi/alti:	Alluminio
Superficie alloggiamento sistema toni medi/alti:	Vernice
Dimensioni sistema toni medi/alti (L x H x P):	110 x 790 x 90 mm
Caratteristiche sistema toni medi/alti:	Array verticale con amplificazione a 4 vie ed eccellente dispersione sonora
Modulo amplificatore	
Amplificatore:	a 5 vie, classe A/B
Sistema performance amplificatore (RMS):	400 W
Sistema performance subwoofer (RMS):	200 W
Performance amplificatore toni medi/alti (RMS):	4 x 50 W
Protezioni:	Limitatore duale
Raffreddamento:	Dissipatore di calore in alluminio
Dispositivi di comando:	Main Level, Sub Level, Mic Level, Line Level, MP3/Hi-Z Level, commutatore di ingresso (Hi-Z/MP3), ON / OFF
Indicatori:	LED per: On, Locked, Signal, Limit, Protect
Alimentazione:	Trasformatore
Tensione di esercizio:	220 V AC - 240 V AC, 50 - 60 Hz
Potenza assorbita (max.):	600 VA
Entrate di linea:	2
Connessioni di ingresso di linea:	Combo XLR/jack da 6,3 mm, RCA
Ingressi microfono:	1
Connessioni di ingresso microfono:	Combo XLR/jack da 6,3 mm
Ingressi HI-Z:	1 (alternativo all'ingresso del lettore MP3)
Connessioni ingresso HI-Z:	Jack da 6,3 mm
Ingressi lettore MP3:	1 (alternativo all'ingresso HI-Z)
Connessioni ingressi lettore MP3:	Jack stereo da 3,5 mm
Uscite altoparlante:	1
Connessioni di uscita dell'altoparlante:	Custom Made Multipin
Altre caratteristiche:	Filtro high-pass 100 Hz nel canale del microfono

ENGLISH

DEUTSCH

FRANCAIS

ESPAÑOL

POLSKI

ITALIANO

DICHIARAZIONI DEL PRODUTTORE:

GARANZIA DEL PRODUTTORE

La presente garanzia copre i marchi Adam Hall, LD Systems, Defender, Palmer e Cameo.

Essa è valida per tutti i prodotti distribuiti da Adam Hall.

La presente dichiarazione di garanzia non influisce sui diritti legali di garanzia verso il produttore, bensì li estende con ulteriori diritti di garanzia nei confronti della ditta Adam Hall.

Adam Hall garantisce, per un periodo di due o cinque anni (chiedere informazioni per il prodotto specifico) dalla data di acquisto, che questo prodotto Adam Hall, acquistato direttamente presso Adam Hall o attraverso un rivenditore autorizzato, laddove utilizzato correttamente, è privo di difetti di materiale e di fabbricazione.

Il periodo di garanzia ha inizio dalla data di acquisto, che, nei casi contemplati dalla garanzia, deve essere adeguatamente documentata presentando la fattura o la bolla di consegna su cui è riportata la data di acquisto. Laddove prodotti delle marche summenzionate necessitassero di interventi di riparazione nel periodo di garanzia, l'acquirente ha diritto a usufruire del servizio alle condizioni indicate nel presente documento.

Nel periodo di garanzia, Adam Hall si fa carico della riparazione o della sostituzione dei componenti o degli apparecchi difettosi. In caso di riparazione o sostituzione nel periodo di garanzia, i prodotti o le parti originali sostituiti passano in proprietà della ditta Adam Hall.

Nell'improbabile caso in cui il prodotto acquistato presentasse ripetuti malfunzionamenti, Adam Hall si riserva il diritto di sostituire, a propria discrezione, il prodotto difettoso con un altro prodotto, a condizione che le caratteristiche tecniche del nuovo prodotto siano almeno equivalenti a quelle del prodotto sostituito.

Adam Hall non garantisce che il prodotto sia perfettamente funzionante e/o non presenti guasti. Adam Hall esclude inoltre qualsiasi responsabilità per danni derivanti dall'inosservanza del manuale d'uso accluso al prodotto e di altra documentazione. La garanzia del produttore non copre: - Parti soggette a usura (come le batterie) - Prodotti da cui sia stato rimosso il numero di serie o che siano stati danneggiati a causa di un incidente - Danni causati da uso improprio, uso errato o altri motivi esterni

- Danni ad apparecchi che non siano stati impiegati secondo i parametri di funzionamento (indicati nella documentazione fornita in dotazione)

- Danni derivanti dall'utilizzo di ricambi non prodotti, distribuiti o consigliati da Adam Hall

- Danni derivanti da interventi o modifiche di terzi o da riparazioni non effettuate da Adam Hall.

Le presenti disposizioni e condizioni costituiscono l'accordo di garanzia completo ed esclusivo tra l'Acquirente e Adam Hall per il prodotto Adam Hall acquistato.

DICHIARAZIONI DEL PRODUTTORE:

ENGLISH

DEUTSCH

FRANCAIS

ESPAÑOL

POLSKI

ITALIANO

LIMITAZIONE DI RESPONSABILITÀ

Laddove nei prodotti hardware Adam Hall insorgessero difetti di materiale o di fabbricazione (in conformità con la dichiarazione di garanzia di cui sopra) durante il periodo di garanzia, il Cliente usufruirebbe, come unico ed esclusivo diritto previsto dalla presente garanzia, della riparazione o sostituzione dell'apparecchio. La massima responsabilità di Adam Hall è limitata, come espressamente indicato nella presente garanzia, al prezzo d'acquisto o ai costi di riparazione o sostituzione (optando per l'importo minore) dei componenti che risultano difettosi nonostante siano stati correttamente utilizzati.

Adam Hall non è responsabile di alcun danno provocato dal prodotto o dal suo malfunzionamento, ivi compresi mancati guadagni, perdite e danni speciali indiretti o conseguenti. Adam Hall inoltre non è responsabile verso reclami presentati da terzi né verso richieste avanzate dal cliente a nome di terzi.

La presente limitazione di responsabilità vale indipendentemente dal fatto che i danni siano oggetto di procedimenti giudiziari o che le richieste di risarcimento danni siano presentate ai sensi della presente garanzia o per atti illeciti (includere negligenza e responsabilità oggettiva) o per pretese contrattuali o di altra natura, e non può essere né annullata né modificata da nessuno. La presente limitazione di responsabilità è valida anche nel caso in cui l'utente abbia avvisato Adam Hall o un rappresentante autorizzato circa la possibilità di tali danni. Tale limitazione non è però valevole in caso di richieste per risarcimento danni in relazione a danni a persone.

La garanzia del produttore accorda all'Acquirente determinati diritti; possono tuttavia competere ulteriori diritti in funzione della giurisdizione di pertinenza (stato o regione). Si consiglia quindi di consultare le leggi applicabili per determinare in modo esaustivo i propri diritti.

RICORSO ALLA **GARANZIA**

Per usufruire della garanzia, rivolgersi direttamente ad Adam Hall o al rivenditore autorizzato Adam Hall, presso il quale è stato acquistato il prodotto.

DICHIARAZIONE DI **CONFORMITÀ CE**

I dispositivi distribuiti da Adam Hall ottemperano (ove del caso) ai requisiti essenziali e ad altre specifiche rilevanti delle direttive 1999/5/CE (R&TTE - Apparecchiature radio e apparecchiature terminali di telecomunicazione), 2004/108/CE (EMC - Compatibilità elettromagnetica) e 2006/95/CE (LVD - Materiale elettrico a bassa tensione). Per ulteriori informazioni, consultare il sito www.adamhall.com.

DICHIARAZIONI DEL PRODUTTORE:

CORRETTO SMALTIMENTO DEL PRODOTTO

(In vigore nell'Unione Europea e in altri paesi europei in cui si attui la raccolta differenziata)



Questo simbolo apposto sul prodotto o sui relativi documenti indica che, per evitare danni all'ambiente e alle persone causati da uno smaltimento incontrollato dei rifiuti, alla fine del suo ciclo di vita l'apparecchio non deve essere smaltito insieme ai normali rifiuti domestici. Il prodotto deve quindi essere smaltito separatamente da altri rifiuti e riciclato nell'ottica dell'incentivazione di cicli economici sostenibili.

I clienti privati possono richiedere informazioni sulle possibilità di smaltimento ecosostenibile al rivenditore presso il quale è stato acquistato il prodotto o presso le autorità regionali competenti.

I clienti aziendali devono invece contattare il proprio fornitore e controllare le eventuali condizioni contrattuali inerenti allo smaltimento degli apparecchi. Questo prodotto non deve essere smaltito assieme ad altri rifiuti industriali.

PROTEZIONE DELL'AMBIENTE E RISPARMIO ENERGETICO

Il risparmio energetico contribuisce attivamente alla protezione ambientale. Spegnerne tutti i dispositivi elettrici non utilizzati. Staccare la spina dei dispositivi non utilizzati per evitare che consumino corrente in modalità stand-by.

Adam Hall GmbH, tutti i diritti riservati. I dati tecnici e le caratteristiche del prodotto possono essere soggetti a modifiche. È vietata la copia, la traduzione e qualsiasi altra riproduzione delle presenti istruzioni d'uso o di parte di esse senza previa autorizzazione.

ENGLISH

DEUTSCH

FRANCAIS

ESPAÑOL

POLSKI

ITALIANO





WWW.LD-SYSTEMS.COM

Adam Hall GmbH | Daimlerstrasse 9 | 61267 Neu-Anspach | Germany
Tel. +49(0)6081/9419-0 | Fax +49(0)6081/9419-1000
web : www.adamhall.com | e-mail : mail@adamhall.com

